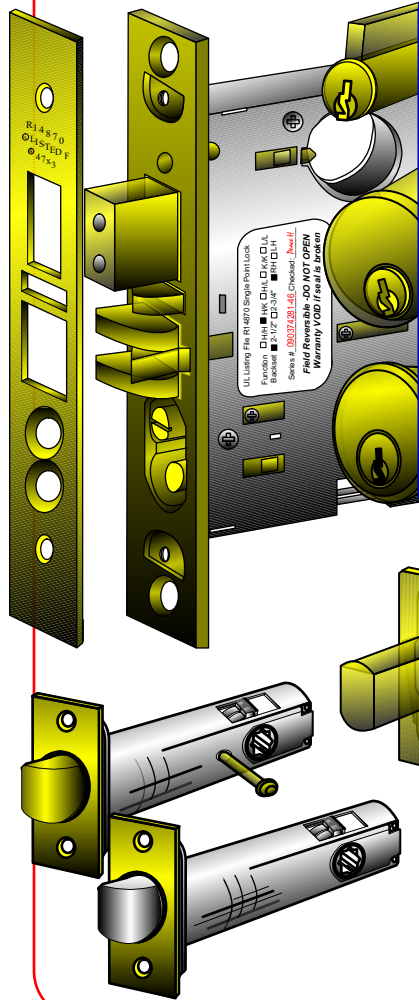


baton®

Security Products since

**Catalogue
2016.10
Decorative
Door
Hardware**



Part 3 of 7 - Euro Mortise Lock, Cylinder Trim & Accessories

- Series E Mortise Lock Case --> page E01~E04
- Model E260-55 Pocket Lock --> page E05~E06
- Series F Mortise Lock Case --> page E07~E08
- Series G Mortise Lock Case --> page E09~E10
- Series K SN Mor Lock Case --> page E11~E13
- EC Profile Cylinder & Rosette-> page E19
- Service/Hand chage menu-----> page E20~E22
- TE TF & TX Trim/Lever set ----> page T12~T24
- Spindles -----> page X01~X02
- Pin kit & services -----> page X03~X05

**Baton Security Products
11521 Salinaz Drive,
Garden Grove,
CA 92843 USA**

**Tel: (714) 590 6969
Fax:(714) 590 6960**

**USA / Canada toll free
Tel : (877) 228 6699
Fax: (866) 228 6699**

**Tooling, manufacturing as well as purchasing stock
items are additional benefits of doing business with Baton.**

www.batonlockusa.com www.batonhardware.com

Email : Sales@batonlockusa.com



Dear Clients:

It is our pleasure to present for your reference the latest Catalogue and Price List for the decorative door hardware.

Baton has accumulated the experience in the manufacturing and distribution of the security locking devices and related hardware since 1973. Since then, we have consistently provided clients with a wide range of high quality locking devices along with the edge necessary in today's security industry.

At Baton, our goal is to provide you with the highest quality not only in security products but also in customer service. To assist you with your product needs, our Customer Services Department is open from 8:00 AM until 4:30 PM Pacific Time, Monday through Friday.

The following pages show the product lines we constantly carry in our warehouse located at Garden Grove, California. Nevertheless, tooling, manufacturing as well as purchasing stock items are value added benefits of doing business with us. Your complete satisfaction is our goal. Please call our Customer Service Representatives at 1-877-baton99 (228 6699) and let us know how we can best serve you. Should you have any other needs regarding locking devices, please call our CSR at the following numbers:

| |
|---|
| Toll free Tel : 1-877 - 228 6699 Fax: 1-866 - 228 6699 |
| <ol style="list-style-type: none"> 1. Mortise Door Lock, Low Profile Deadbolts, Tubular Latches and components 2. European Profile Cylinders, Rim Cylinders, Key in knob and Mortise Cylinders 3. Decorative Hardware 4. Special locks for Payphone, Casino, Gaming and Vending Industries. |

| |
|--|
| Toll free Tel : 1-800 - 395 8880 Fax: 1-888 - 395 8880 |
| <ol style="list-style-type: none"> 1. High security locks and devices of all kinds for Vending, Laundry, Casino and Video Gaming Industries 2. Padlocks - Brass, Laminated steel, Hardened steel and Stainless steel for Coin-Op Industries and general public 3. Do-it-yourself general hardware |

Sincerely,

Peace Hsu
President

Terms and Freight Policy -

All prices are based on FOB our warehouse. Net 30 days can be arranged upon approval on open account others will be C.O.D. or prepaid. Any past due account is subject to a financial charge at 1.5% on unpaid balance billed monthly. No further shipment will be honored until account is brought back to current. Service charges will apply to all the returned checks. Unless you specify otherwise, will use a carrier and route of our choice. Claim for loss or damage in transit should be made by you against the carrier. All goods are shipped at the customers risk; our responsibility ceases upon delivery in good order to the carrier.

Receipt and Return Goods Policy -

Any discrepancy regarding the shipment must be claimed within five(5) days after merchandise received. Any return item should be received within 30 days of invoice date. A "RGA" number must be obtained from our CSR Department prior to the merchandise returned. The returned goods must be in original packaging and salable condition. There will be a 25% restocking charge and freight on merchandise returned or refused for reasons other than defect or incorrect shipment. No special or custom made order can be returned other than factory defect.

Orders and Cancellations -

Order and/or cancellations will not be processed without written confirmation from customer. Any order shipped before written request of cancellation or change is received will incur handling charges as stated above. Special orders and custom made items are not cancelable after a period of 3 days from date of order. Partial orders shall be accepted by the customer and paid for at the contract prices and terms. Order received by Baton constitute acceptance of terms outlined in this document. Baton is not responsible for any loss or damage due to delays or extended delivery dates of goods.

Limited Warranty -

Baton warrants that its products will be free from defects in materials and workmanship (excluding oxidation or discoloration) for a period of one year from the date of sales to the user. Our only obligation will be to replace the defective product or parts upon inspection, together with proof of purchase from one of our agents dated within the warranty period. **We assume no liability for any labor charges regarding the removal or reinstallation of the products; nor will we cover any freight, postage, traveling or handling expense relative to the product. Damage caused by accident, misuse, abuse or improper installation are not covered by this warranty. Except as expressly stated herein, there is no warranty, whether expressed or implied, provided by Baton. No other person has authority to assume any obligation or liability in addition to this warranty.**

Validity and Special Note -

This catalogue with Price List enclosed is good for six (6) months from the date issued and supersedes all previous catalogues and Price Lists. Baton is not responsible for any typographic errors or errors in indication.

Index by Page

| Page | Contentss | Page | Contentss |
|---------|---|---------|--|
| 01 | About us | L01 | LT245KS / 245MB Pass Latch & Mortise Bolt |
| 02 | Sales Policy | L02 | LT345KE / 367KE (UL) Entrance Latch |
| 03 | Index - by page | L03 | LT483 / 486 Hookbolt Latch |
| 04 | Index - by product category | L04 | LT583 / 586 Privacy Latch/Knob 28 degree |
| A01~A02 | Series "A" Mortise Lock Case | L05 | LT595KV Privacy Latch/Knob 5", Faceplate |
| A03~A07 | Function Chart - Mortise Lock Case "A" | L06 | LT673/676 Pass Latch, small facebore |
| A08 | Mortise Lock Case - Electrified | L07 | LT683 /686 Passage & Privcy Latch |
| A09 | Mortise Lock Case - Hold-back feture | L08 | LT783/786/796 Passage & Privacy Latch |
| A10 | Faceplate for "A" Mortise Lock Case | L09 | LT843 / 846 Pass Latch, through-bolting |
| A11 | Strikes for "A" Mortise Lock Case | L10 | LT880 / 883 / 886 Privacy Latch, 28 degree |
| A12 | Ordering guide for "A" Mortise Lock Case | L11 | LT245/780/783/786 Mortise Bolt |
| A13 | A578 Pocket Lock Case, Strike Block | L12 | Standard & extended T + Full-lip Strike |
| A14 | Function Chart - A578 | L13 | Combo Faceplate + Strike |
| A15 | TA10 Trim for A578 Pocket Lock | L14 | Stabilizer + Power Pack |
| A16 | Roller Latch Lock Case with Privacy | L15 | LT-RA281 Rosette Adapter |
| A17~A18 | Barn / Pocket Lock Case | L16 | Transfer Unit + Tail Piece |
| A19 | A775 Deadlock, Hooklock Case & Strike | T01~T02 | Trim/Lever sets order guide |
| A20 | AC26, 29 Bevel-Head Mortise Cylinder | T03 | TA30 Trim |
| A21 | AC30, 31 Flat-Head Mortise Cylinder | T04 | TA40 Trim |
| A22 | Dummy Cyl, Collar & Padlock | T05 | TA50 Trim |
| A23~A24 | Installation menu 'A' Mortise Lock | T06 | TA60 Trim |
| D01 | Deadbolt Assemblage - modern | T07 | TA70 Trim |
| D02 | Deadbolt Assemblage - classic | T08 | TA80 Trim |
| D03 | Trim rings - modern and classic | T09 | TA91 / 92 Trim |
| D04 | Faceplate, Strikes for Deadbolt Latch | T10 | TA95 / 96 Trim |
| D05 | Deadbolt Latch- D400-DA, DB | T11 | Memo |
| D06 | Deadbolt Latch- D400-DC, DF | T12 | TE- G / H Trim |
| D07 | Deadbolt Latch - D400-DH & custom made | T13 | TE- U / V / X Trim -1 |
| D08 | Deadbolt/Knob Cylinder and D451P assemblage | T14 | TE- U / V / X Trim -2 |
| D09 | Backup Plate & Accessories for Deadbolt Cyl | T15 | TF- B / D Trim - 1 |
| D10 | D530, 550 Interior Mortise Lock Case | T16 | TF- B / D Trim - 2 |
| D11 | D608, 613 Interior Mortise Lock Case | T17 | TF- E Trim |
| D12 | D827 Lockset & Interconnection Mechanism | T18 | TF- G / H Trim |
| E01~E02 | E600 E700 E900 Euro Mortise Lock Case | T19 | TL Lever -1 |
| E03 | E207-23 E308-25,35,40,50 Euro M Lock,narrow | T20 | TL Lever -2 |
| E04 | E240-40, E250-40 Hook & Pocket Lock | T21 | TX- KC / KM Knob set |
| E05~E06 | E260-55 Euro Pocket Lock set | T22 | TX- LJ Lever set |
| E07~E08 | F408 413 518 Euro DPN Mortise Lock Case | T23 | TX- LK Lever set |
| E09~E10 | G300 Euro Mortise Lock Case | T24 | TX- T Turn set |
| E11~E13 | SN Mortise Lock K500 K700 | X01~X02 | Spindle and Dummy Bracket |
| E14 | EC60 EC61 EC62 EC72 Euro Profile Cylinder | X03 | Rekey Kit, Key Blanks |
| E15 | Custom length and 2-tone Euro Profile Cyl | X04 | Rekey Kit - Dimple |
| E16 | Cylinder Converter & Accessories | X05 | In-house Keying service guide |
| E17~E18 | Euro Cylinder Rosette | X06 | Inch vs. mm chart |
| E19~E22 | Service Menus & Ordering Guide-E locks | | |

Index - by product Category

| Products | Pages | Products | Pages |
|--|---------------|--|--------------|
| Cylinders & Related Accessories | | Mortise Lock Case & Accessories | |
| American style | | American Classic - (use w/Mortise Cyl) | |
| Deadbolt Cylinders, single/double | D08, D09 | Mortise lock cases "A" | |
| Backup plate & Tail piece | D09 | 2", 2-1/2", 2-3/4", 3-1/2" all functions | A01~A12 |
| Bolting screws & extension Couplers | D09 | Roller Latch with Privacy | A16 |
| Key in Knob Cylinder | D08 | Mortise lock case - Barn door lock | A17, A18 |
| Lock Block - for hotel safe | Q2 | Mortise lock case - Electrified | A08 |
| Mortise cylinders, Key & T Turn | | Mortise lock - Holdback function | A09 |
| Beveled head style | A20 | Faceplate | A10 |
| Flat head styles | A21 | Strike, Extended Strike & Dust box | A11 |
| Dummy cyl & Security Collars | A22 | American interior - Mortise lock cases "D" | D10, D11 |
| Padlock | A22 | | |
| Euro Profile cylinders | | Euro Style - use with Euro Profile Cyl | |
| Single/double & Converter | E14~E16 | Mortise lock "E" (85mm C/C) | |
| Euro Cylinder Rosette | E17, E18 | 2-3/8", 2-3/4", 3-15/16" all function | E01, E02 |
| Rekeying pin kits | X03, X04 | Narrow backset Mortise lock cases | E03 |
| In-house keying services | X05 | Mortise Hock Pock lock | E04~E06 |
| | | Mortise lock "F" EN/DIN certified | E07 |
| | | Mortise Auto lock "F" (72mm C/C) | E08 |
| | | Mortise lock "G" (92mm C/C) | E09~E10 |
| | | Mortise lock "K" (105mm C/C) | E11~E12 |
| | | Store Front Hockbolt "Q" | Q01 |
| | | Mortise lock - multi point "Q" | Q02 |
| Deadbolt, Deadbolt Latch & Accessories | | Pocket, Barn Door Lock | |
| Deadbolt Assemblage | | Series A - 2" backset all function | A13~A15 |
| Low profile, Modern | D01 | Barn Door Lock | A17, A18 |
| Low profile, Classic | D02 | E240, E250 E260 Entrance, Privacy | E04, E06 |
| Accessories | | | |
| Adopter & Trim rings | D03 | | |
| Bolting screws, | D05 | | |
| Cylinder + Latch + Strike package | D04 | | |
| Deadbolt latch, 2", 2-3/8", 2-3/4" | D07 | | |
| Deadbolt latch, extended backset | D09 | | |
| Deadbolt Latch, 2-3/8" & 2-3/4" | | | |
| adjustable, UL 3 hours fire rated | D08 | | |
| Dust Box | D06 | | |
| Interior Mortise Lock Case 1-3/16", 2" | D10, D11 | | |
| Security strike | D06 | | |
| Tail piece -single, double and extended | D05 | | |
| Latch/Tubular, Mortise Bolt & Accessories | | Store Front Lock | |
| Entrance Latch | L02 | American style | |
| Hockbolt Latch 2-3/8", 2-3/4" | L03 | Swing, Hock & Latch Bolt | Q01 |
| Tubular Latch | | Lever Handle & Cylinder Ring | Q01 |
| 1-3/4", 2", 2-3/8", 2-3/4", 5" | L02~L10 | Euro style | |
| Extended backset custom latch | L04~L10 | Hock Bolt | E03 |
| Mortise bolt | | | |
| 1-3/4", 2", 2-3/8", 2-3/4", custom made | L11 | | |
| Accessories | | | |
| Dust box | L12 | | |
| Emergency Release Key | L12 | | |
| Faceplate, Strike - standard & combo | L05, L12, L13 | | |
| Thumb Turn set for Mortise Bolt | T24 | | |
| Transfer Unit and Thumb Piece | T24 | | |
| Mortise Deadlock | | Trim, Lever & Knob sets | |
| Mortise Deadlock/Hooklock A775 2-3/4" | A19 | D827 Lock sets | D12 |
| Mortise Deadlock A500,600,700,900 | A03~A07 | TA Trim sets for 'A' mortise lock | T03~T10 |
| Euro Mortise Hock Deadlock E240 | E04 | TE Trim/Lever sets for 'E' mortise lock | T12~T14 |
| | | TF Trim sets for 'F' mortise lock | T15~T18 |
| | | TL Lever sets for 'LT' Latches | T19~T23 |
| | | TX Knob sets for all Mortise | |
| | | Locks & Latches | T21 |
| | | TX Stainless steel Lever sets for | |
| | | all Mortise locks & Latches | T22, T23 |
| | | TX T Turns for Mortise Lock, | |
| | | Mortise Bolt & Latches | T24 |
| | | | |
| | | Other Accessories | |
| | | Interconnect Mechanism | D12 |
| | | Latfch/rosette stabilizer | L14 |
| | | Power Pack | L14 |
| | | Rosette Adapter | L15 |
| | | Spindles - Dummy, Half, Solid & Swivel | X01, X02 |
| | | Dummy Bracket | X01, X02 |
| | | Thumb Piece | L16 |
| | | Transfer Unit | L16 |

**Series 'E600, E700, E900' Euro
Mortise Lock Case (85mm C~C)**

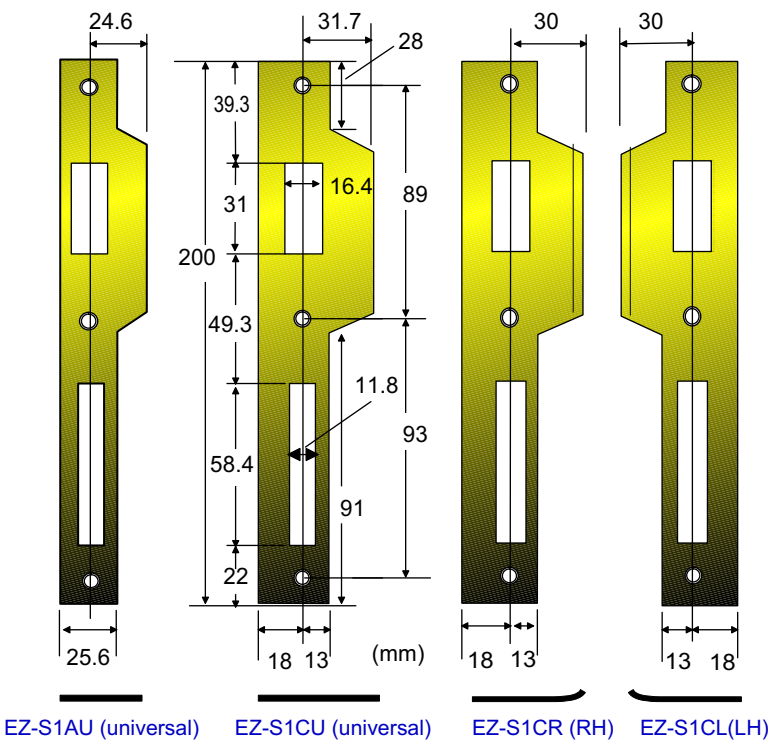
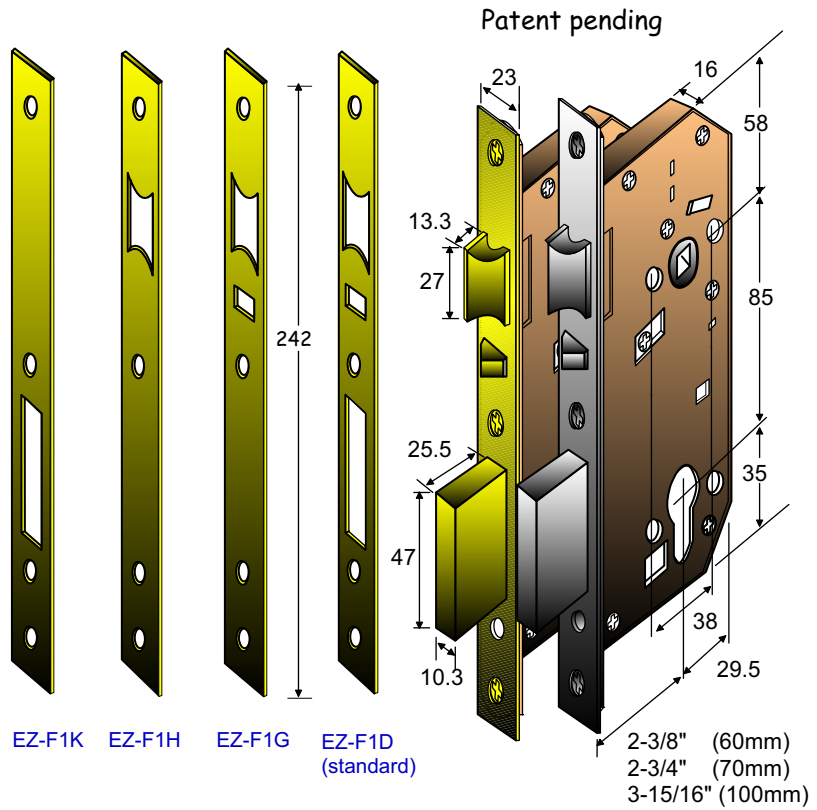
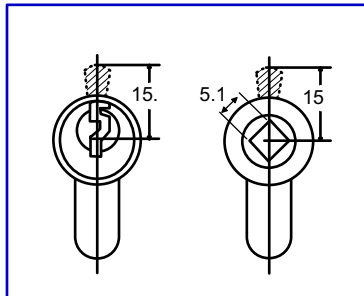
Baton series 'E' European Style Mortise Door Lock Case is designed for accommodating a Lever/Lever style trim. The mortise case takes any standard Euro Profile Cylinders.

E01

The 7" high mortise case is constructed with a 1" throw extruded brass deadbolt, a non-handed field reversible spring latch, and an auxiliary latch to add extra security. All exposed Bolts are made of stainless steel (S).

Mounting hardware and a 1" wide non-handed strike (EZ-S1A) are furnished as standard. The 1-1/4" extended strike (EZ-S1C_, specify universal, right hand or left hand), for thicker door is optional.

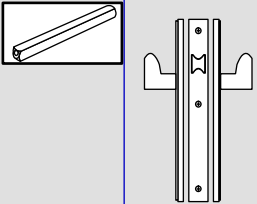
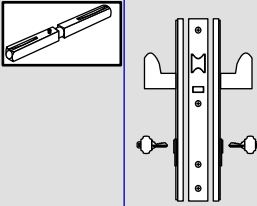
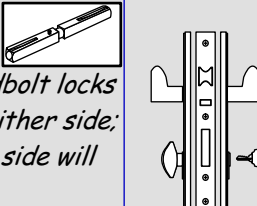
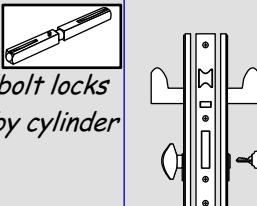
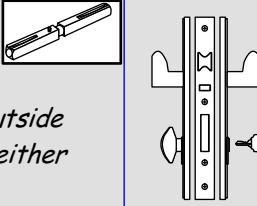
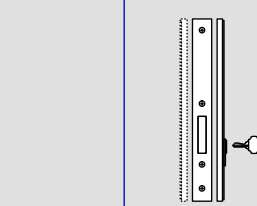
Finishes : US10B,15A,3 &32D.
Hub size: 8mm on square.
Backset : 2-3/8" (60mm)
 2-3/4" (70mm)
 3-15/16" (100mm)



EZ-S1AU (universal) EZ-S1CU (universal) EZ-S1CR (RH) EZ-S1CL(LH)

Series 'E' Euro Style Mortise Lock Case Function Chart

E02

| Model No | Backset | Trim Style To Fit | Function | Depiction |
|--------------------------------|------------------------------|----------------------|---|---|
| E601-60 E701-70 E901-100 | 2-3/8" 2-3/4" 3-15/16" | Lever to Lever [L/L] | PASSAGE <i>Latch by lever from either side.</i> |  |
| E605-60 E705-70 E905-100 | 2-3/8" 2-3/4" 3-15/16" | Lever to Lever [L/L] | CLASSROOM <i>Latch by lever either side except when outside lever is locked by key; then by cylinder from either side. The inside lever always free. Auxiliary latch deadlocks latch.</i> |  |
| E608-60 E708-70 E908-100 | 2-3/8" 2-3/4" 3-15/16" | Lever to Lever [L/L] | ENTRANCE/PRIVACY (without egress) <i>Latch by lever either side except when projected deadbolt locks lever and deadlocks latch. Deadbolt by cylinder from either side; continuing to turn the cylinder or by lever from either side will retract the latch. Auxiliary latch deadlocks latch.</i> |  |
| E613-60 E713-70 E913-100 | 2-3/8" 2-3/4" 3-15/16" | Lever to Lever [L/L] | ENTRANCE/PRIVACY (with egress) <i>Latch by lever either side except when projected deadbolt locks outside lever and deadlocks latch. Deadbolt and latch by cylinder outside. The inside lever retracts deadbolt and latch simultaneously, automatically unlocking outside lever. Auxiliary latch deadlocks latch.</i> |  |
| E615-60 E715-70 E915-100 | 2-3/8" 2-3/4" 3-15/16" | Lever to Lever [L/L] | VESTIBULE/HOTEL/PUBLIC TOILET (without egress) <i>Latch by lever from inside and by key from outside. Outside lever is always inoperative. Deadbolt by cylinder from either side. Auxiliary latch deadlocks latch.</i> |  |
| E617-60 E717-70 E917-100 | 2-3/8" 2-3/4" 3-15/16" | | DEADLOCK <i>Deadbolt by key or turn piece outside, or both sides.</i> |  |

*Remark: 1) Function described above can vary depending on the type of cylinder used. For matched Euro Profile Cylinders, please refer to page E15, E16 - Series 'EC' Euro Profile Cylinders.
2) Please see Page E14 for lock case ordering guide for ordering; and Pages T01 and T02 Trim Sets Ordering Guide for the optional 'TE' trim sets.*

Euro Store Front Lock

Model E223 15/16" backset Store Front Hook Bolt has all metal construction. The heavy gauge laminated steel hook bolt features a concealed anti-saw hardened steel rollers to add resistance against sawing or cutting through the bolt. The hook bolt is operated by a profile cylinder only. Furnished with faceplate and mounting screws. The EZ-SZ1 Brass Strike for wooden door is optional. Finishes : US10B, 19, & 3

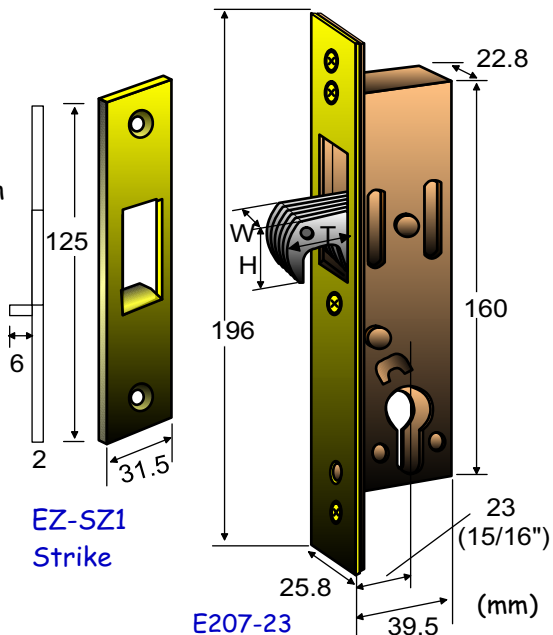
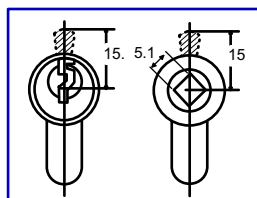
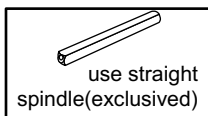
E03

Euro Mortise Lock Cases/Narrow

These narrow backset Euro Style Mortise Lock cases are designed for accommodating a Lever/Lever style trim. The 5/8" thick lock case constructed with a 29/32" wide Armor Front, fits for a wider range of applications in door thickness.

Handing is field reversible without opening the lock case. Simply sliding up the blocking trigger located at the upper part of the lock case close to the spring latch, allows depressing the brass latch into the lock case fully; rotate the latch by 180 degree and release. It's done.

The lock cases take any standard Euro Profile Cylinders. A non-handed Strike and mounting screws are furnished as standard.
Hub size: 1", 1-3/8" : 8mm on Square
Others : 8mm on Square + 7.3mm on Diamond
Backsets: 1" , 1-9/16" & 2"
Finishes :
E308-35 : US32D only.
Other sizes: US10B, 19, 3, 32 & 32D

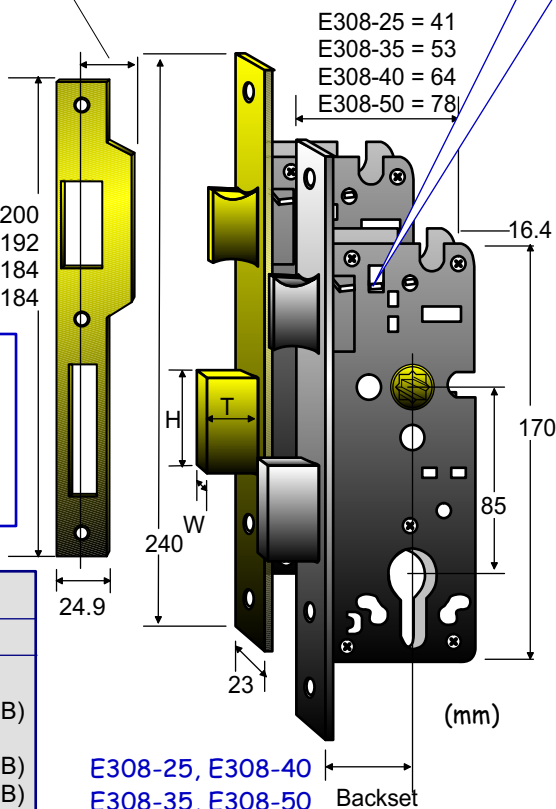


EZ-SZ1
Strike

E207-23

- E308-25=16
- E308-35=27
- E308-40=22
- E308-50=22

Handing - field reversible: Swing up the Blocking Trigger to press down the Bolt; rotate Bolt 180 degree and snap back to its working position in slot.



E308-25, E308-40
E308-35, E308-50 Backset

| Stock No. | Backset | Deadbolt Spec(mm) /Throw / Finish | | | | |
|-------------|----------------|-----------------------------------|---|----|--------|--------------|
| | | H | W | T | Throw | Finish |
| E207XXNZ-23 | 15/16" (23mm) | 34 | 9 | 22 | single | Zinc plated |
| E308LL8_25 | 1" (25mm) | 34 | 9 | 15 | single | US26(D),3(B) |
| E308LL8N35 | 1-3/8" (35mm) | 34 | 9 | 15 | single | US15(N) |
| E308LL8_40 | 1-9/16" (40mm) | 43.5 | 9 | 20 | double | US26(D),3(B) |
| E308LL8_50 | 2" (50mm) | 43.5 | 9 | 20 | double | US26(D),3(B) |

Remark: Please see Page E14 for ordering guide

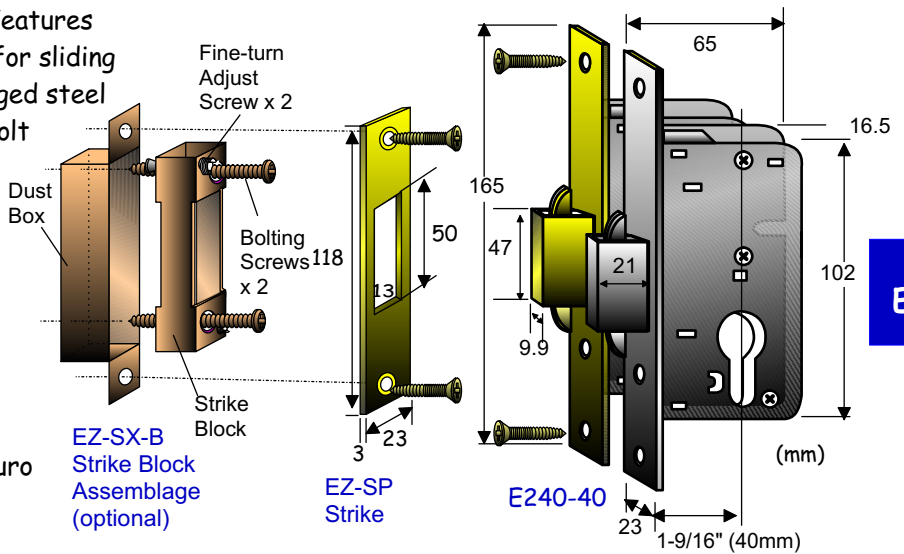
Model E240-40 Euro Hook Bolt Lock Case
Model E240-40PT Pocket Door Lock Set

Series E240 Euro Dead Lock Case Features a hook type deadbolt, is ideal both for sliding and swing doors. The two heavy gauged steel hooks constructed, when the deadbolt is fully extended by the cylinder, engage the strike plate installed at the frame of the door, prevent the door being swinging or sliding open. Two deadbolt finishes, satin nickel (N) or bright brass (B), are stocked constantly for your option.

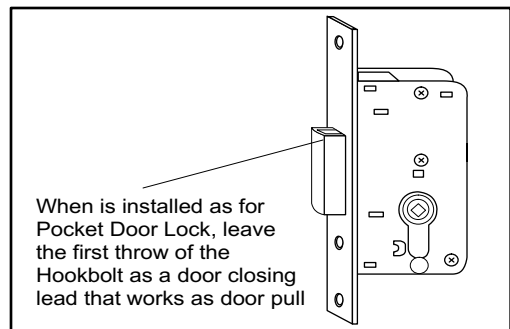
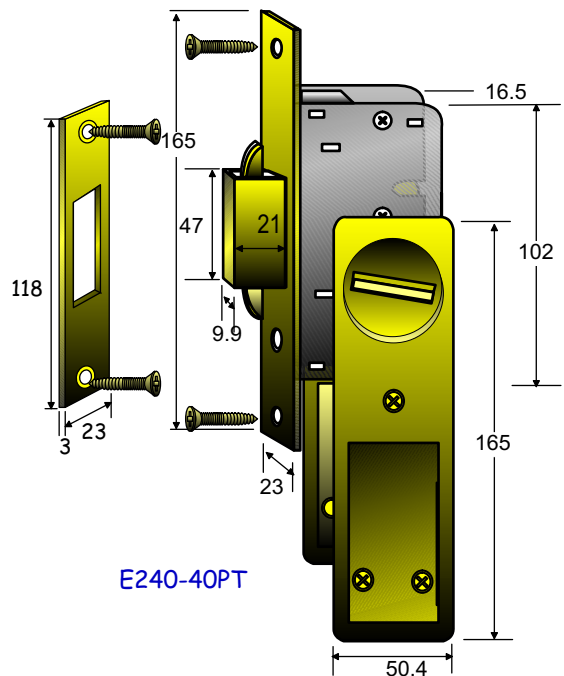
The lock cases take any standard Euro Profile Cylinders as shown on the following page to facilitate various applications. The lock can also be ordered with a Cylinder Converter EC-6C for operating with a Knob or Deadbolt cylinder, or Baton 'TX' Thumb Turns. Furnished with Strike(EZ-SP) and mounting screws. Finishes: 10B, 19, 3, 32D

The specially designed adjustable Strike Assemblage (EZ-SP) can be purchased separately. Furnished with a metal dust box, Strike block and one pair of the 3" long bolting screws. The Strike Block is featured with depth-adjustable screws x 2, allowing for fine tune adjustment for a proper hold for the lock and door prior to the fastening of the finished Strike.

Model E240-40PT Privacy Pocket Door Lock Set is an assemblage of one E240-40 Hookbolt Lock Case, one Cylinder Converter EC6C-5D, one Cylinder Detainer EC6C-D90 and one each of the TA10-P, TA10-T trims. Elegant and easy for installation. Finish: 10B, 15, 19, 3



E04



| Stock No. | Description | Hookbolt finish/throw(s) |
|-----------|-------------------------------------|--------------------------|
| E240-40 | Dead lock 1-9/16"(40mm) | US15(N), 3(B) 2 throws |
| E240-40PT | Pocket Door Lock set 1-9/16" (40mm) | US15(N), 3(B) 1 throw |
| EZ-SX-B | Strike Block Assemblage | |

Remark: Please see page E14 for ordering guide

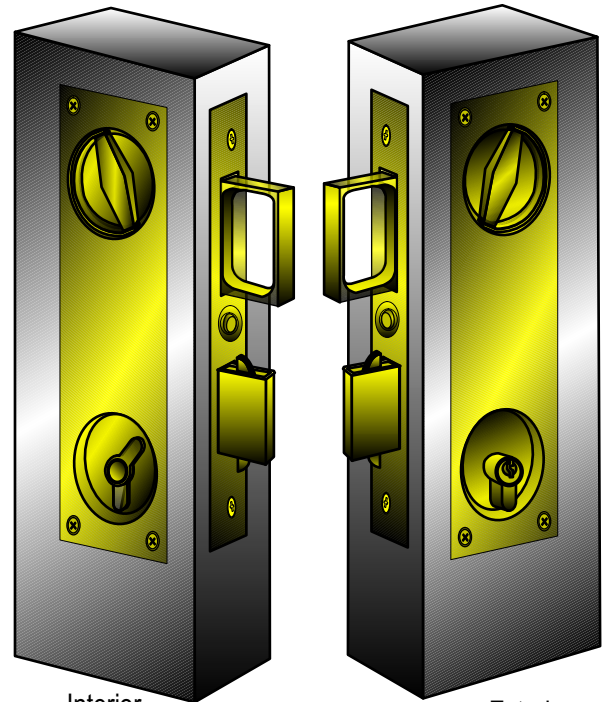
Model E260-55 Pocket lock set consists of:

- a) one Lock case
- b) one Strike block unit
- c) a pair of Flush mount Trim and
- d) one Profile cylinder.

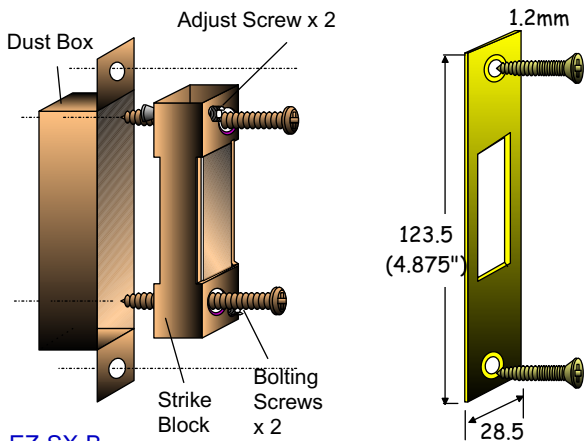
E05

The 2-3/16" (55mm) backset heavy duty pocket lock case is made of wrought steel; constructed with a 3/4", single throw hook type deadbolt. Depress the center button on lock front, the spring loaded door pull pops out for pulling the door from the door pocket easily. Both the door pull and hookbolt are made of stainless steel. The exposed parts are available in 'S' = Satin stainless steel or 'V' = PVD/gold in matching with the trim selected.

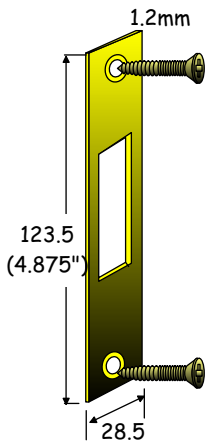
The Strike Block unit furnished includes one finished Strike, one Strike block assemblage, one Metal dust box and mounting screws. The Strike Block is constructed with a pair of depth adjustable screws, allowing for fine tune adjustment for a proper hold for the lock and door prior to the fastening of the finished Strike.



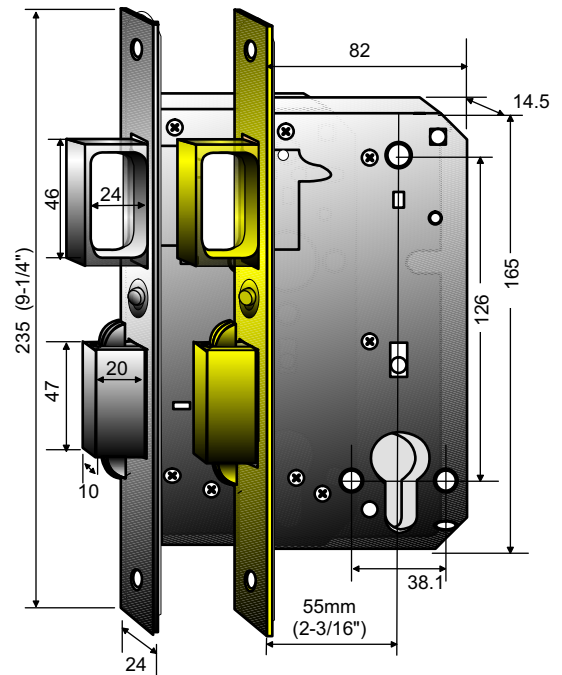
Interior The Trim Set (Entrance) Exterior



EZ-SX-B
Strike Block Assemblage



EZ-SP Strike



E260-55 Euro Mortise Pocket Lock Case

Model 'E260-55' Pocket Door Lock Set -2 Trim, Cylinder/Turn

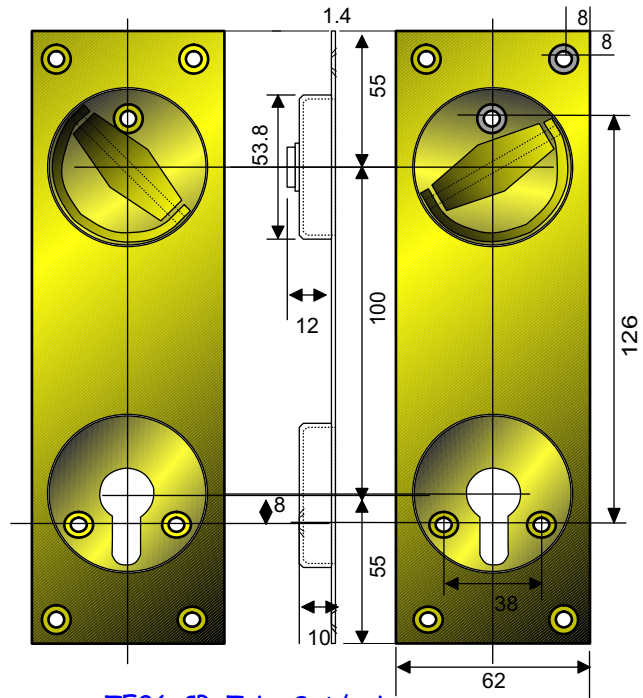
E06

The pocket lock trim set is made of stainless steel or brass. The added swivel door puller on upper part provides extra convenience for the door opening and closing from the side. Simply drill 2-1/8" face bore holes x 2 on each side of the door for flush mount, allows to be bolted on lock case and wood door as well for long lasting, trouble free operations. Universal design, fits for Entrance, Privacy and Passage.

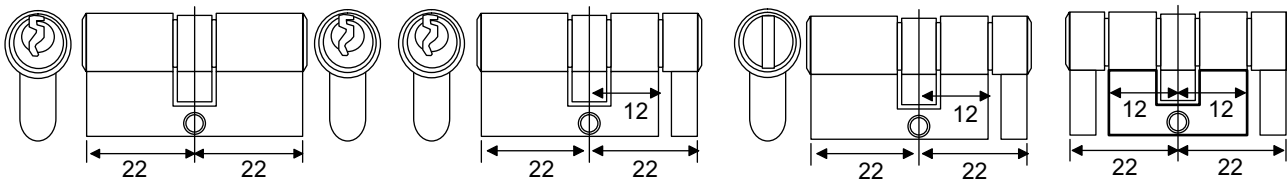
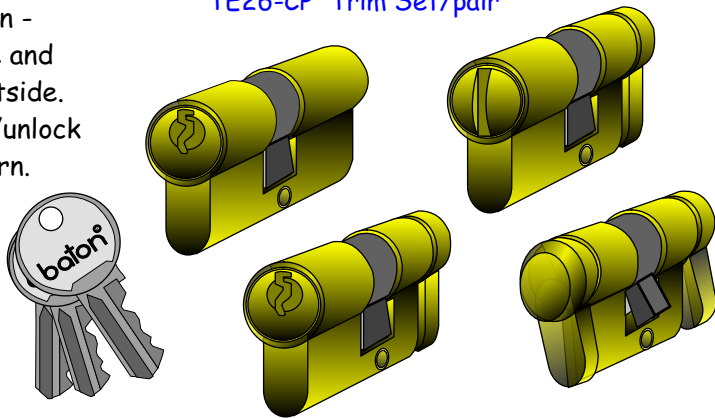
Five styles of cylinders are provided to accommodate your applications:

- EC74KK2222 Key + Key cylinder - for lock/unlock from either side.
- EC74KT2212 Key + T Turn - for lock/unlock by key outside, by T Turn inside.
- EC74DT2212 Dummy + T Turn - for lock/unlock from inside only.
- EC74PT2212 Emergency release + T Turn - for lock/unlock from inside and Emergency access from outside.
- EC74TT1212 T Turn + T Turn - for lock/unlock from either side with T Turn.

The lock set is ideal for 1-3/4" thick door. For thicker or thinner doors, please consult with Baton CSR.



TE26-CP Trim Set/pair



EC74KK2222 Key+Key

EC74KT2212 Key+Turn

EC74DP2212 Dummy+Turn

EC74TT1212 Turn+Turn

EC74PT2212 Privacy+Turn

| Stock No. | Description | Application (outside / inside) | Finish |
|------------|------------------------------|--------------------------------|------------|
| E260 CC 55 | Pocket lock set, Entrance KK | Key / Key | 10B, 3, 15 |
| E260 CT 55 | Pocket lock set, Entrance KT | Key / T Turn | 10B, 3, 15 |
| E260 DT 55 | Pocket lock set, Privacy DT | Dummy / T Turn | 10B, 3, 15 |
| E260 PT 55 | Pocket lock set, Privacy ET | Emergency release / T Turn | 10B, 3, 15 |
| E260 TT 55 | Pocket lock set, Passage TT | T Turn / T Turn | 10B, 3, 15 |

**Series 'F400' Euro Mortise Lock Case
DIN Standard (72mm C~C)**

E07

Baton series F400 Euro Mortise Lock Case is made of heavy gauge galvanized steel case constructed with precision and durable working parts; ensures long lasting and trouble free performances.

Latch - Investment casting stainless steel construction. Featured with noise reduction rubber inserts.

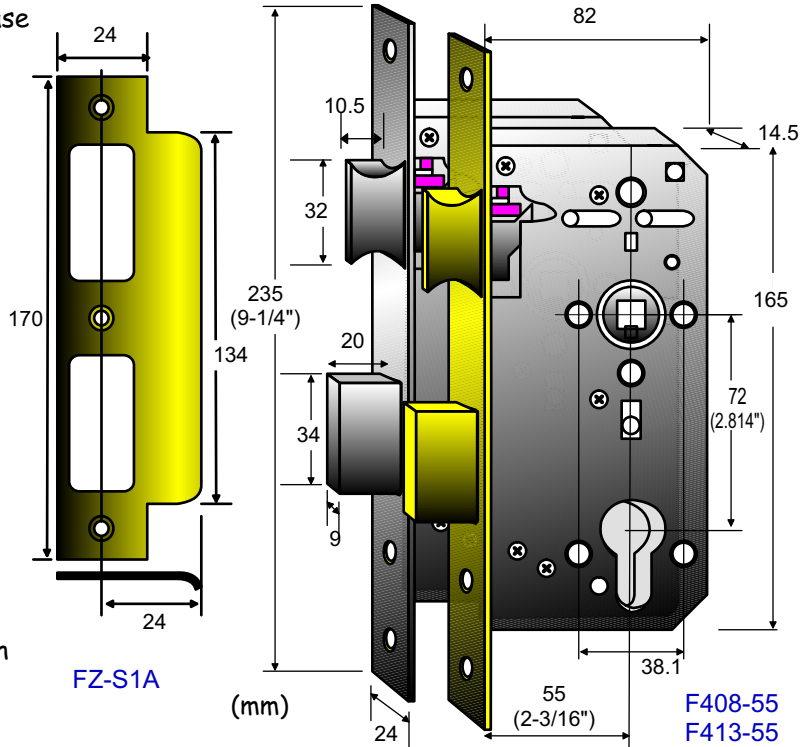
Non-handed (field reversible).

Deadbolt - Investment casting stainless steel one piece construction.

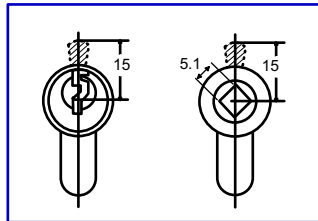
Front plate - Stainless steel.

Hub - Investment casting stainless steel, 8mm on square

Two finishes, US32D and PVD18K gold, are available to order from stock. Finish is applied to all the exposed parts (Lock front, Latch bolt, Deadbolt and Strike)

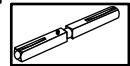


Furnished with:
Strike (FZ-S1A),
Dust boxes(F4-G3)
and Mounting screws.



According to EN 12209:2003, the locks are classified as: **2C400B3HA10**

The lock fulfills the safety relevant characteristics of Class 3 as per DIN 18251 and EN 179.



| Model No. | Backset | Function | Depiction |
|------------|----------------|--|-----------|
| F408LL8_55 | 2-3/16" (55mm) | Entrance (without egress) Latch by Lever from either side. Deadbolt by key either side. Continue to turn the key operates the Latch. | |
| F413LL8_55 | 2-3/16" (55mm) | Entrance (with egress) Latch by Lever from either side. Deadbolt by key either side. Inside Lever retracts latch and deadbolt simultaneously. | |

- Remarks: 1) Please see the pages E15, E19 for the matching Euro Profile Cylinders, Cylinder Rosette and pages T01, T02 Trim/lever Set Ordering Guide for the matching Lever sets.
2) Other functions, such as: Night Latch, Bathroom and Dead lock etc. are to order.
3) Please see page E14 for Mortise Lock Case ordering guide.

**Model F518-55 Euro Auto Lock Case
DIN standard (72mm C~C)**

Baton model F518-55 Euro Auto Lock Case is made of heavy gauge galvanized steel case constructed with precision and durable stainless steel major working parts; ensures long lasting and trouble free performances. Field reversible.

The lower Deadbolt throws and deadlocks automatically when the door is closed.

Latch - Investment casting stainless steel construction. Non-handed.

Deadbolt - Formed steel laminated.

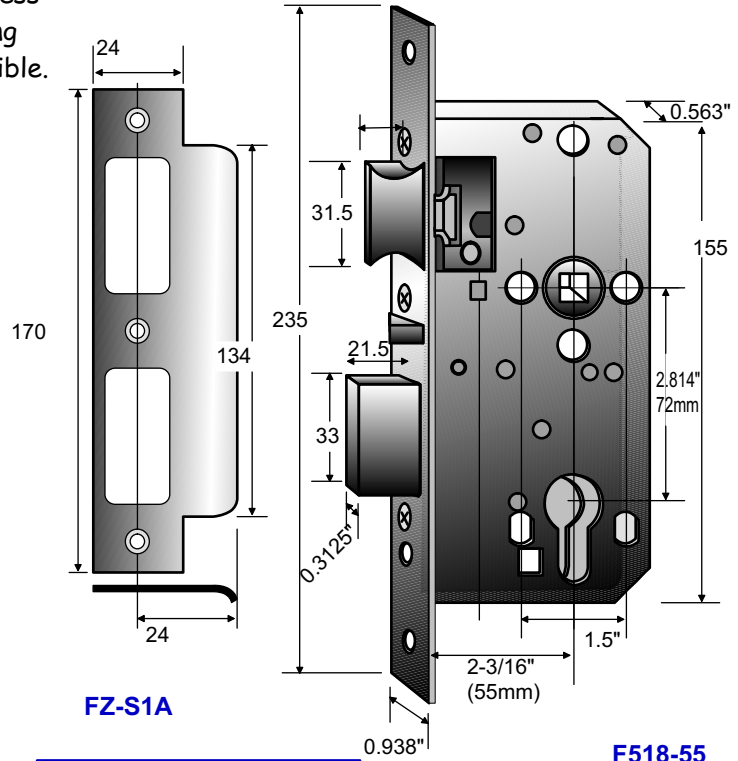
Front plate - Stainless steel.

Hub - Investment casting stainless steel, 8mm on square

Note - The outside knob must be set inoperatively and works as a door pull. Specify right hand or left hand when ordering.

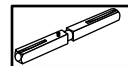
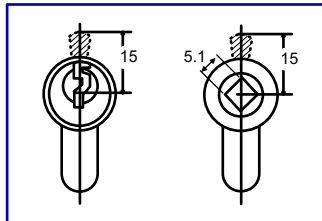
Finishes: US32D

Furnished with Strike (FZ-S1A),
Dust boxes(F4-G3) and Mounting Screws.



FZ-S1A

F518-55



E08

| Model No. | Backset | Function | Depiction |
|------------|----------------|--|-----------|
| F518LL8Z55 | 2-3/16" (55mm) | <p>Entrance / Fire Exit (with egress)</p> <p>Deadbolt projects and deadlocks automatically when door is closed. Outside Knob/Lerer is always inoperative. Latch by Lever from inside or by key from outside. Deadbolt by Cylinder either side. Inside Lever retracts latch and deadbolt simultaneously.</p> | |

Remarks: Please see pages E15 to E19 for the matching Euro Profile Cylinders, Cylinder Rosette and pages T01, T02 Trim / Lever Set Ordering Guide for the matching Lever sets; and see page E14 for lock case ordering guide.

**Series 'G' Euro Style Narrow
Mortise Lock Case (92mm C~C)**

E09

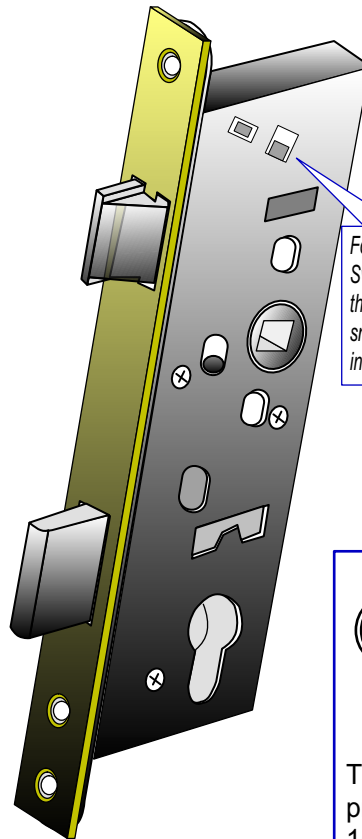
Baton series 'G' European style lever strength Mortise Lock Case has a unique design - requiring only 22 degrees to retract the latch. The mortise lock case takes any standard Euro profile cylinder that is constructed with a 15mm radius free rotation standard cam. See the following page for the Baton 'EC' Euro Profile Cylinders for styles and finishes available from stock.

The 3/4" (19mm) throw metal deadbolt and a non-handed field-reversible spring latch assemblage with other precision working parts are constructed within a 7-7/8" (220mm) high x 11/16" (17mm) thick galvanized steel mortise case. Both of the exposed latch and deadbolt are chrome plated (D).

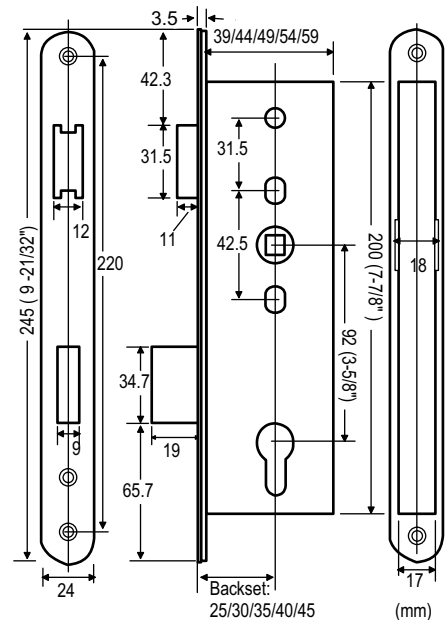
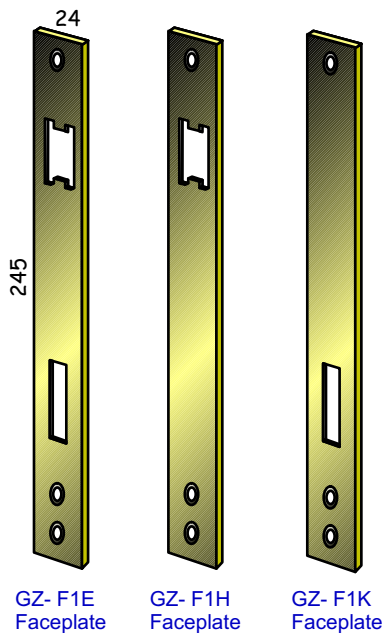
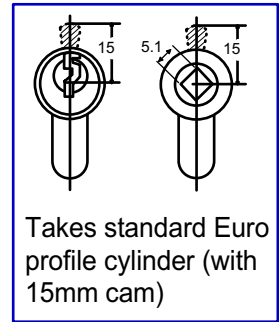
The model G315 Entrance Lock case is featured with egress function - The inside lever retracts latch and deadbolt simultaneously. To employ this function, the outside lever must be set inoperatively and works as a door pull. Many other functions are available. Please see next page for functions available.

Strike is a separate purchase item. Please see next page.

- Finishes: US10B, 3, 32, 32D, 4
- Hubsize: 8mm on square.
- Backset: 25, 30, 35, 40, & 45mm

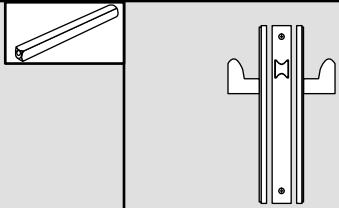
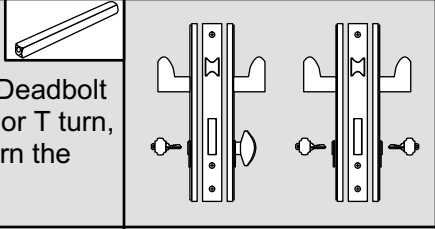
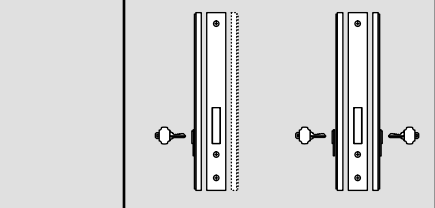
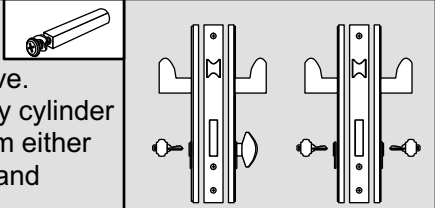


For hand change:
Swing up the trigger to pop out the latch; rotate 180 degree and snap back to its working position in slot.

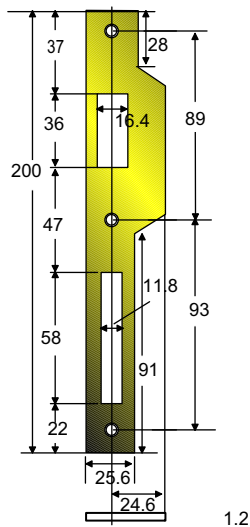


Remarks: Please see pages E15 to E19 for the matching Euro Profile Cylinders, Cylinder Rosette and pages T01, T02 Trim / Lever Set Ordering Guide for the matching Lever sets; and see page E14 for lock case ordering guide.

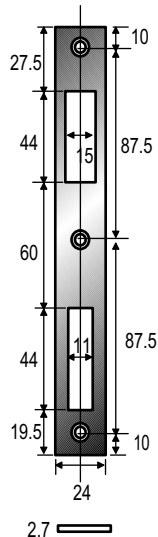
**Series 'G' Euro Mortise Lock Case
Function Chart and Strike**

| Model No | Backset | Function | Depiction |
|--|--|---|---|
| G301LL8D25 G301LL8D30 G301LL8D35 G301LL8D40 G301LL8D45 | 25mm(1") 30mm(1-3/16") 35mm(1-3/8") 40mm(1-9/16") 45mm(1-3/4") | Passage Latch operated by Lever from either side at all times. |  |
| G308LL8D25 G308LL8D30 G308LL8D35 G308LL8D40 G308LL8D45 | 25mm(1") 30mm(1-3/16") 35mm(1-3/8") 40mm(1-9/16") 45mm(1-3/4") | Entrance (without egress) Latch by Lever from either side. Deadbolt operated by Profile cylinder, key or T turn, from either side. Continuing to turn the cylinder will retract the Latch |  |
| G317LLND25 G317LLND30 G317LLND35 G317LLND40 G317LLND45 | 25mm(1") 30mm(1-3/16") 35mm(1-3/8") 40mm(1-9/16") 45mm(1-3/4") | Deadlock Deadbolt operated by Profile cylinder, key or T turn, from one or either side. |  |
| G315LL8D25 G315LL8D30 G315LL8D35 G315LL8D40 G315LL8D45 | 25mm(1") 30mm(1-3/16") 35mm(1-3/8") 40mm(1-9/16") 45mm(1-3/4") | Entrance (with egress) Outside lever is always inoperative. Latch by Lever from inside and by cylinder outside. Deadbolt by cylinder from either side. Inside Lever retracts latch and deadbolt simultaneously. |  |

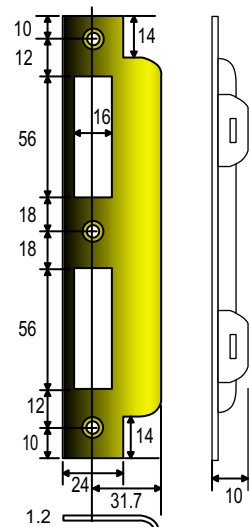
E10



GZ-S1AU
Strike



GZ-S2
Strike



GZ-S3CU
Universal Strike

**Series K500 & K700
SN Mortise lock cases (105mm C~C)**

Baton series K500 and K700 Heavy duty SN Mortise Lock Case are made of heavy gauge steel. The 3mm thick stainless steel lock front is constructed with a U shape bracket to receive the lock case, provides extra strength against heavy blow on impact.

Solid steel hub, 8mm on square, featured with strong spring, requires very small angle rotation to retract the latch bolt. Ideal for use with lever handles, paddle or other exit devices.

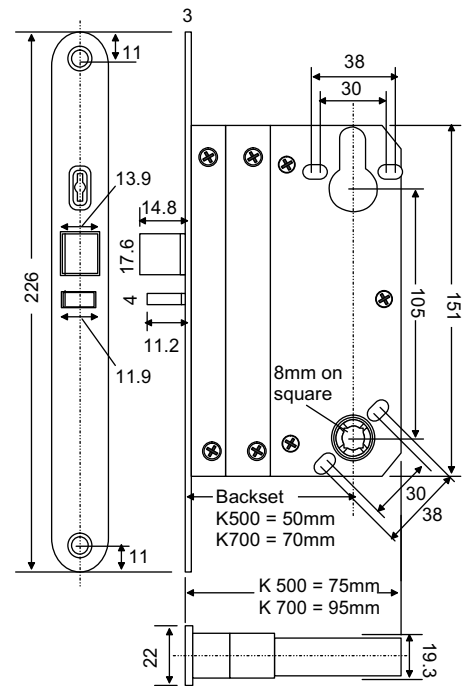
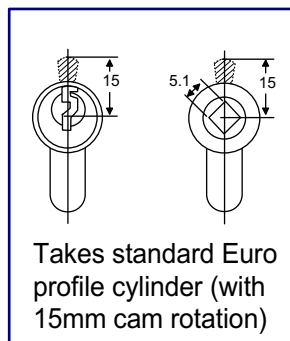
Both of the Spring and Auxiliary Latches are made of solid steel with pioneer design for easy hand change or backset converting without opening the lock case.

Hold-back feature is installed in all models except the Deadlock; and can be reassumed by using KZ-X214 Hold-back key. Simply open the Hold-back gate by unplugging the plastic seal located above the spring latch; depress both latches into the lock front and retain the latches with the Hold-back key.

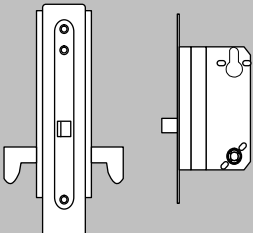
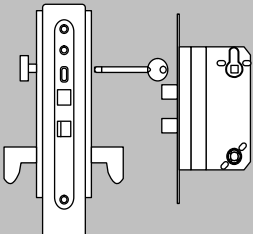
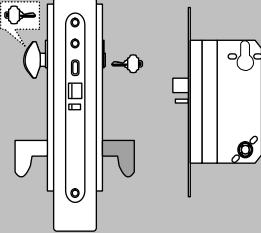
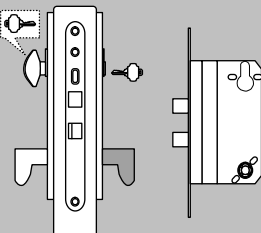
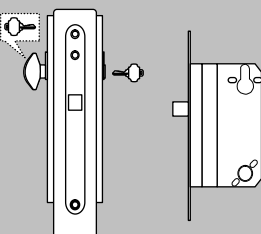
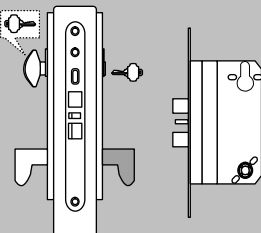
Many functions are available. Please see the next page for the details,

Backsets: 50mm, 70mm
Hub size : 8mm on square

Lock case is packed in plain box individually. Euro Profile Cylinder (see page E15, E16), Strike, Backset Conversion Kits (KZ-X350 for 70mm to 50mm, KZ-X370 for 50mm to 70mm) and Hold-back key (KZ-X214) are separate purchase items.



E11

| Model No | Backset | Function | Depiction |
|--------------------------|--------------|--|---|
| K501LL8Z50 K701LL8Z70 | 50mm 70mm | PASSAGE Latch by Lever from either side. |  |
| K502LL8Z50 K702LL8Z70 | 50mm 70mm | PRIVACY / BATHROOM Deadbolt by turn piece from inside, by emergency release key from outside. Latch by Lever from either side. Hub sizes for Turn Piece are available in 5, 6 or 8mm |  |
| K504LL8Z50 K704LL8Z70 | 50mm 70mm | NIGHT LATCH (with hold-back feature) Latch by lever from inside by key outside. Outside Lever is always inoperative. Auxiliary latch deadlocks latch. Withdraw the latch and by using a hold-back key to hold back the latch inside the lock case. The hold back feature can also be inoperative by using the block plate furnished. |  |
| K508LL8Z50 K708LL8Z70 | 50mm 70mm | SASHLOCK (with hold-back feature) Deadbolt by key from outside and turn piece(or key) from inside. Latch by Lever from either side; or by key outside if outside Lever is set inoperatively. Withdraw the latch and by using a hold-back key to hold back the latch inside the lock case. The hold back feature can also be inoperative by using the block plate furnished. |  |
| K517XXNZ50 K717XXNZ70 | 50mm 70mm | DEADLOCK Deadbolt by key or Turn Piece outside, or both sides. |  |
| K521LL8Z50 K721LL8Z70 | 50mm 70mm | ENTRANCE, Dual Deadlocking (with hold-back feature) Deadbolt by key from outside and turn piece(or key) from inside. Latch by Lever from either side; or by key outside if outside Lever is set inoperatively. Auxiliary latch deadlocks latch. Withdraw the latch and by using a hold-back key to hold back the latch inside the lock case. The hold back feature can also be inoperative by using the block plate furnished. |  |

**Models KZ-X350 & KZ-X370
Conversion Kits for 'K' Lock**

Backset Conversion Kits for the series 'K' Mortise Lock cases are available to order.

Model KZ-X350 consists one piece each of the 50mm Spring Latch and Auxiliary Latch, is ideal for converting to a 50mm backset from a 70mm backset lock case.

Model KZ-X370 consists a set each of the Backset Extended Bracket assemblage, Long Auxiliary Latch, Long Spring Latch and Latch Bracket; is ideal for converting to a 70mm backset from a 50mm backset lock case.

E13

KZ-X350
Backset Conversion Kit for K504 50mm

KZ-X062-5
Short Auxiliary Latch 50mm

KZ-X032-5
Short Spring Latch 50mm

KZ-X370
Backset Conversion Kit for K700 70mm

KZ-X062-7
Long Auxiliary Latch 70mm

KZ-X041-7
Latch bracket for 70mm

KZ-X032-7
Long Spring Latch 70mm

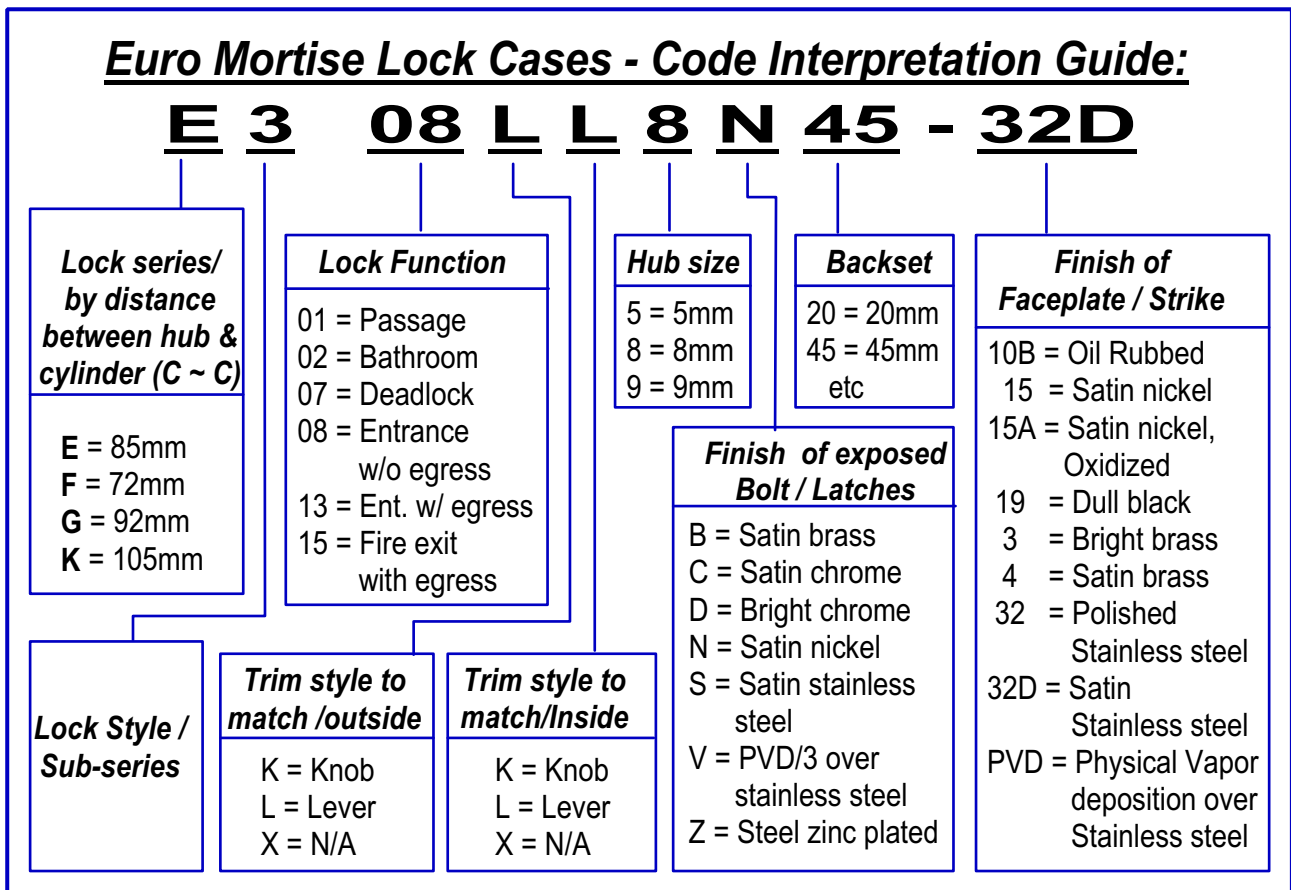
KZ-X220
Backset Extension Bracket 20mm

| Model No | Description |
|--------------------|--|
| KZ-X350 KZ-X370 | Backset Conversion Kits - for converting to 50mm from a 70mm backset lock Backset Conversion Kits - for converting to 70mm from a 50mm backset lock |

How to order Euro Style Series 'E', 'F', 'G' & 'K' Mortise Lock Cases

Catalogue numbers for specific models contain complete information for each specific model, except for the handing. However, series 'E', 'F' and 'G' locks are designed for field reversible. Simply follow the steps as described of the Hand change menu furnished with the lock case shipped for the hand change.

The first one digit specifies the series, defined by the distance between the center of the Lever Hub and Cylinder. The second digit stands for the lock type. The following two digits designate the lock function. Please see pages E01 ~ E12 for the most common mortise lock functions. The type of Trim style to use is specified by the following two letters. The first letter indicates the outside Trim style and the second letter indicates the inside Trim style. Trim set is ordered separately (see page T01 T02 for ordering guide). The following letter indicates the finish of the exposed parts. The last letter or letters indicate the U.S. standard finish for the Faceplate and Strike. Except otherwise specified, Mortise Lock Case is furnished with Faceplate, Strike, Dust box, Template/instruction and mounting hardware. Please see pages E01 to E12 for the details and available finishes of each models in stock.



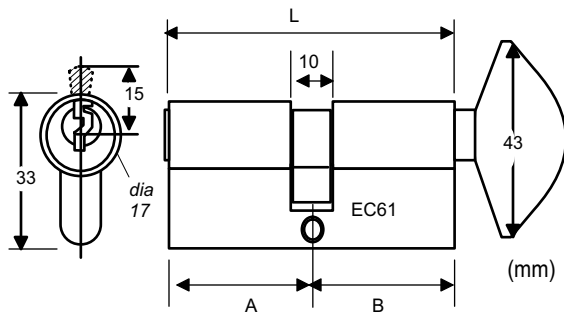
Remarks:

- 1) All Mortise Lock Cases are Non-handed and field-reversible. However, the lock case can be present to specific handing as per request.
- 2) Euro Cylinder is ordered separately. Please see page E15 and E16 for styles, sizes and finishes available.
- 3) Please see page T01, T02 Trim/lever set index for matching trim or lever sets available in stock.

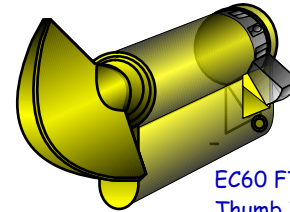
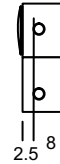
Series 'EC' Solid Brass Euro Profile Cylinders

Model EC60 Half Cylinder is constructed with an 8-position adjustable cam stud. Both Half and Privacy Cylinders are featured with a slot for emergency release from exterior. Model EC55 and EC65 are constructed with precision brass 5-pin tumblers, 6-pin for Model EC66 keying protection. Set screws pin seal for easy rekeying. 'Schlage-C' keyway, compatible with Series 'AC' Mortise and series 'D4' Deadbolt cylinders. Two large bow keys are included.

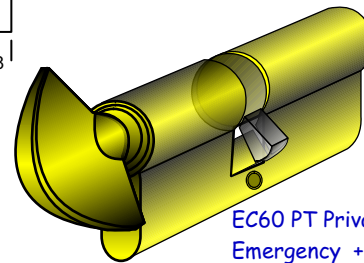
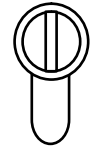
E15



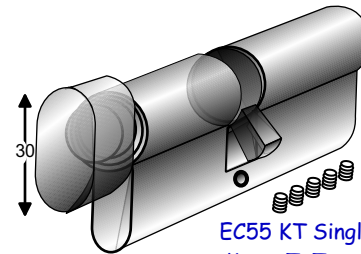
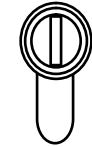
EC60DF
Dummy Plug



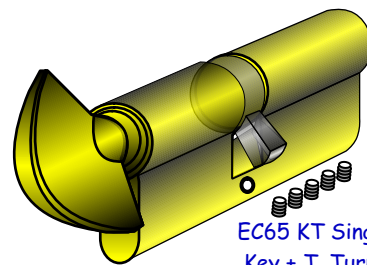
EC60 FT Half Cylinder
Thumb Turn Interior



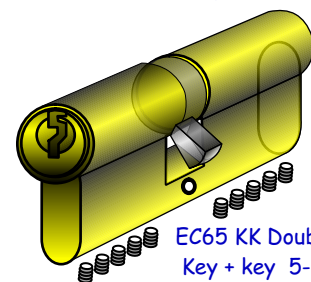
EC60 PT Privacy Cylinder
Emergency + T. Turn



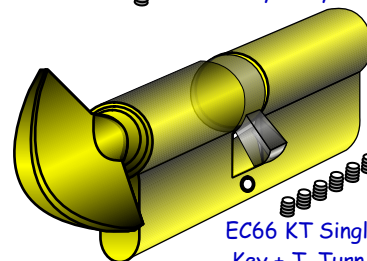
EC55 KT Single Cylinder
Key + T. Turn 5-pin



EC65 KT Single Cylinder
Key + T. Turn 5-pin



EC65 KK Double Cylinder
Key + key 5-pin



EC66 KT Single Cylinder
Key + T. Turn 6 pin



| Products | Stock No | Size (mm) | | | | Finishes in stock ('•') | | | | | | | | |
|--------------------------------|------------|-----------|----|----|-----|-------------------------|----|----|-----|----|-----|---|----|---|
| | | A | B | L | Pin | 10B | 14 | 15 | 15A | 26 | 26D | 3 | 3N | 4 |
| Key+turn 5-pin | EC55KT3646 | 36 | 46 | 82 | 5 | | | • | | | | | | |
| | EC55KT4636 | 46 | 36 | 82 | 5 | | | • | | | | | | |
| Dummy Plug | EC60DF0208 | 2 | 8 | 10 | -- | • | | • | • | | | • | • | |
| Half Cylinder Flat+T Turn | EC60FT1031 | 10 | 31 | 41 | -- | • | • | • | • | | | | | • |
| | EC60FT1036 | 10 | 36 | 46 | -- | • | • | • | • | | • | | | • |
| | EC60FT1041 | 10 | 41 | 51 | -- | • | | • | • | • | | | | • |
| Privacy+T Turn | EC60PT3131 | 31 | 31 | 62 | 5 | • | | • | • | | | | | • |
| | EC60PT3636 | 36 | 36 | 72 | 5 | • | | • | • | | | | | • |
| Key+Turn 5-pin | EC65KT3131 | 31 | 31 | 62 | 5 | • | • | • | • | | • | | • | • |
| | EC65KT3141 | 31 | 41 | 72 | 5 | • | | • | • | | | • | | • |
| | EC65KT3151 | 31 | 51 | 82 | 5 | • | | • | • | | | • | | • |
| | EC65KT3161 | 31 | 61 | 92 | 5 | • | | • | • | • | | | • | • |
| | EC65KT3636 | 36 | 36 | 72 | 5 | • | • | • | • | • | • | | | • |
| | EC65KT4141 | 41 | 41 | 82 | 5 | • | | • | • | | | | | • |
| Key+Key 5-pin | EC65KK3131 | 31 | 31 | 62 | 5 | • | | • | • | | | • | | • |
| | EC65KK3636 | 36 | 36 | 72 | 5 | • | | • | • | • | | • | | • |
| Key+turn 6-pin | EC66KT3636 | 36 | 36 | 72 | 6 | | | | | | • | | • | |
| Key+Key 4-pin (Yale keyway) | EC74KK2222 | 22 | 22 | 44 | 4 | | | • | | | | | • | |

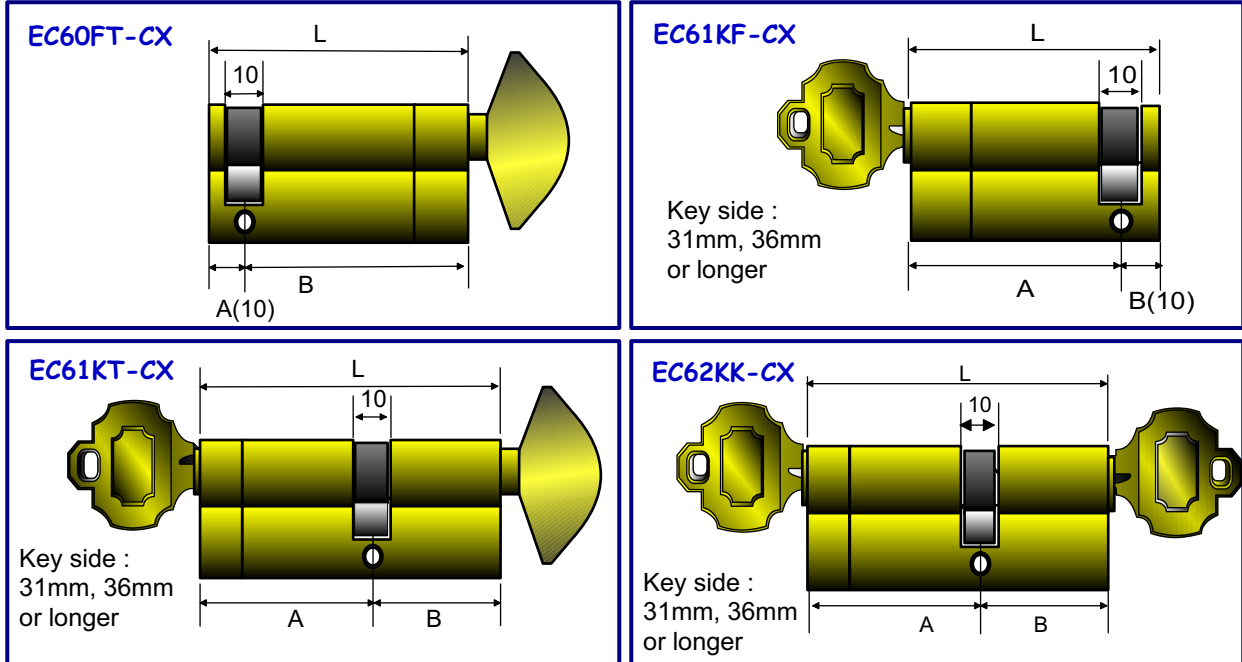
Remarks:

- 1) To find the length of the cylinder you need for each side: Measure the exact thickness from the center of the lock mount of the door plus the thickness of the trim(s).
- 2) EC74 KK constructed with a 4 pin protection, furnished w/3 Y5 keys.

Series 'EC' Custom Length and 2-tone finish Euro Profile Cylinders

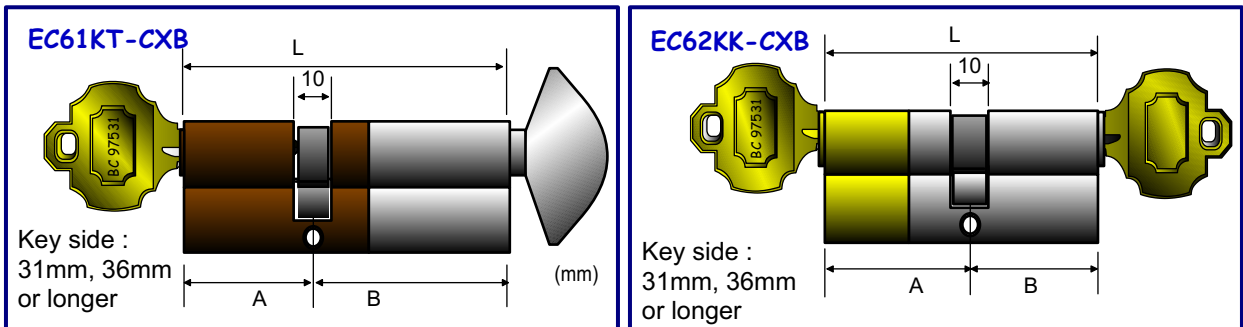
Other than the most common sizes of the Profile Cylinders stocked constantly as shown on page E14, Baton provides an in-house Custom Made service to meet your specific job needs. Please see the following chart and call Baton's CSR for details.

Cylinder with sole finish -



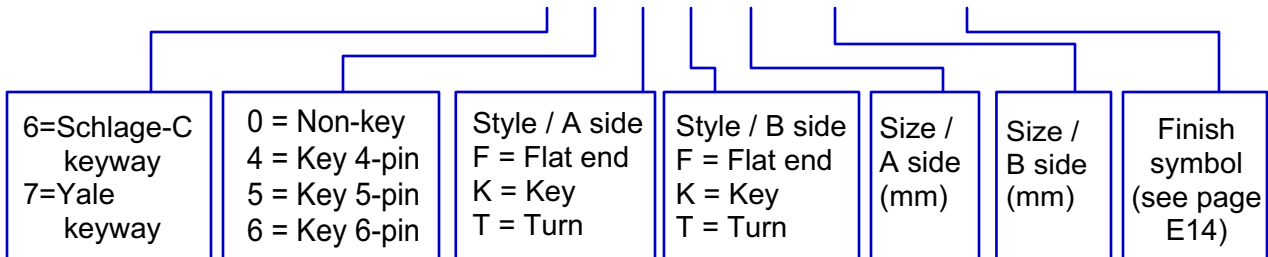
Cylinder with two-tone finish -

Cylinder of Two-Tone, likewise, US10B key side with US15 on T turn side, or satin brass (US4) one side with bright chrome (US26) another side is available to order. Please specify when ordering.



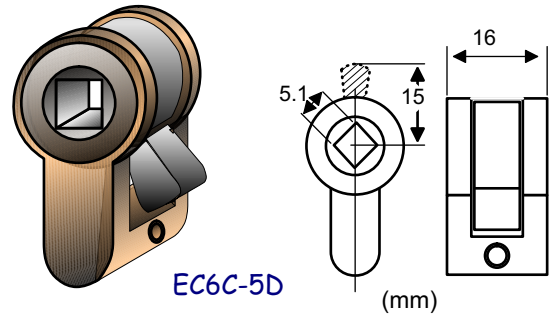
'EC' Cylinder Code Interpretation Guide

EC 6 0 F T 10 31 - 10B



EC6C-5D Profile Cylinder Converter

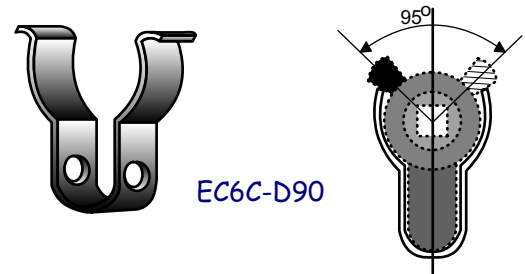
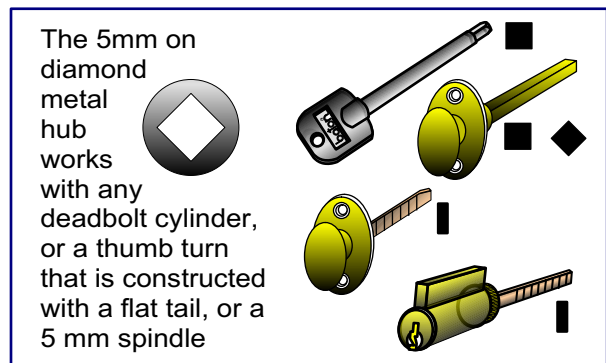
The Profile Cylinder Converter is of all metal construction, enabling the European style mortise lock case to be operated by American cylinder, or a Thumb Turn that is constructed with a 5mm Spindle and or a 5.5 W x 2.0mm T flat tail.



EC6C-D90 Profile Cylinder Detainer

Made of spring steel, detains the profile cylinder Cam within a 90 degree rotation in normal operation.

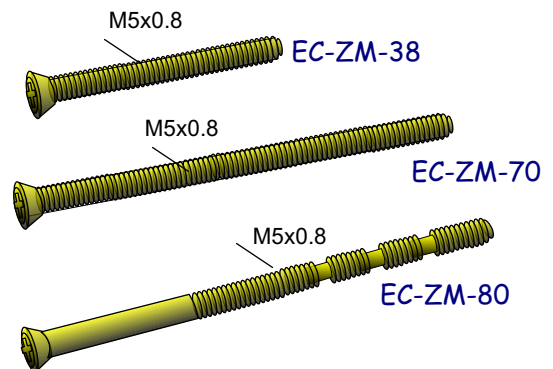
| Stock No. | Description | Hub |
|-----------|----------------------------|-------|
| EC6C-5D | Profile Cylinder Converter | 5.1mm |
| EC6C-D90 | Cam Detainer, 95 degree | ---- |



EC-ZM Mounting Screws

Mounting Screws for the Euro Profile Cylinder are made of steel. 3 sizes are available. Packed 10 pcs per bag.

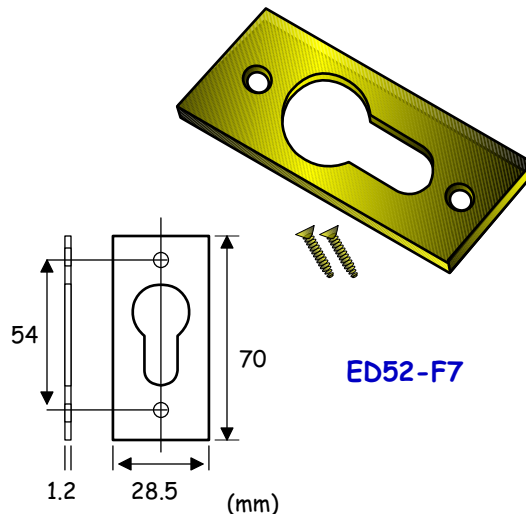
| Stock No. | Description/size | Finish |
|-----------|-------------------------------------|----------------------|
| EC-ZM-38 | M Screw M5-0.8 x 38mm | US15 |
| EC-ZM-70 | M Screw M5-0.8 x 70mm | US15, 3 |
| EC-ZM-80 | M Screw M5-0.8 x 80mm w/3 ring cuts | US10B,14, 15A, 19, 3 |



ED52-F7 Euro Cylinder Rosette

Model ED52-F7 is made of raw brass; ideal for flush mount to cover the profile cylinder. Furnished with 2 mounting screws.

Finishes available in stock:
US10B, 3, 32D, & 4



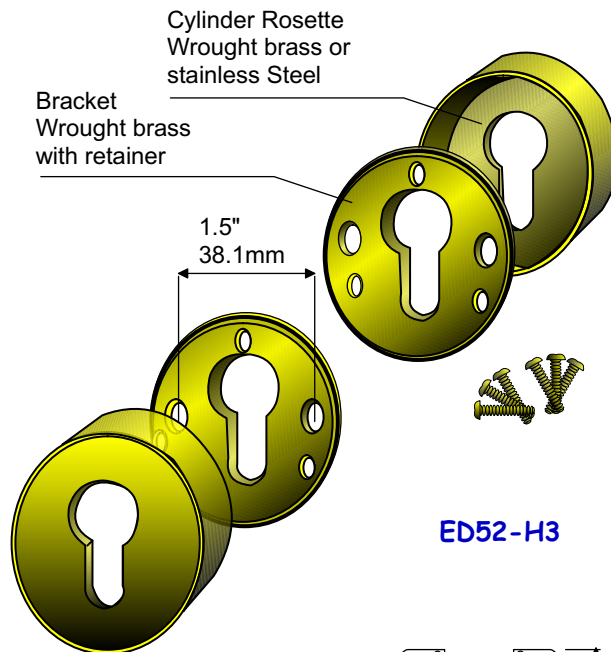
E18

| Stock No. | Description |
|-----------|-------------------------------------|
| ED52-F7 | Euro Cylinder Rosette 70x28.5x1.2mm |

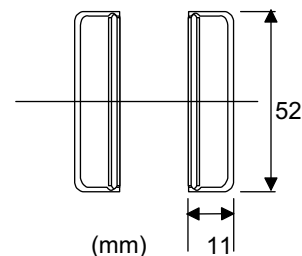
ED52-H3 Euro Cylinder Rosette

The 4mm thick brass mounting bracket is formed with a rubber retainer, to allow for the easy Snap-On of the finished rosette. A pair of 38mm C to C through holes are drilled for through bolting mount (bolting screws excluded). Furnished with 6 wood screws. All the screws are concealed behind the finished rosette.

Finishes available in stock:
US10B, 3, 32, 32D & 4.



| Stock No. | Description |
|-----------|---------------------------------|
| ED52-H3 | Euro Cylinder Rosette 52 x 12mm |



Series ED52 Euro Cylinder Rosette

These super heavy duty Cylinder Rosettes are designed for special security. The 10mm thick exterior solid steel guard is secured with 2 alloy bolting screws (38mm C to C) with the interior 4mm thick bracket. It provides excellent protection against pulling, hammering or prying open by a burglar.

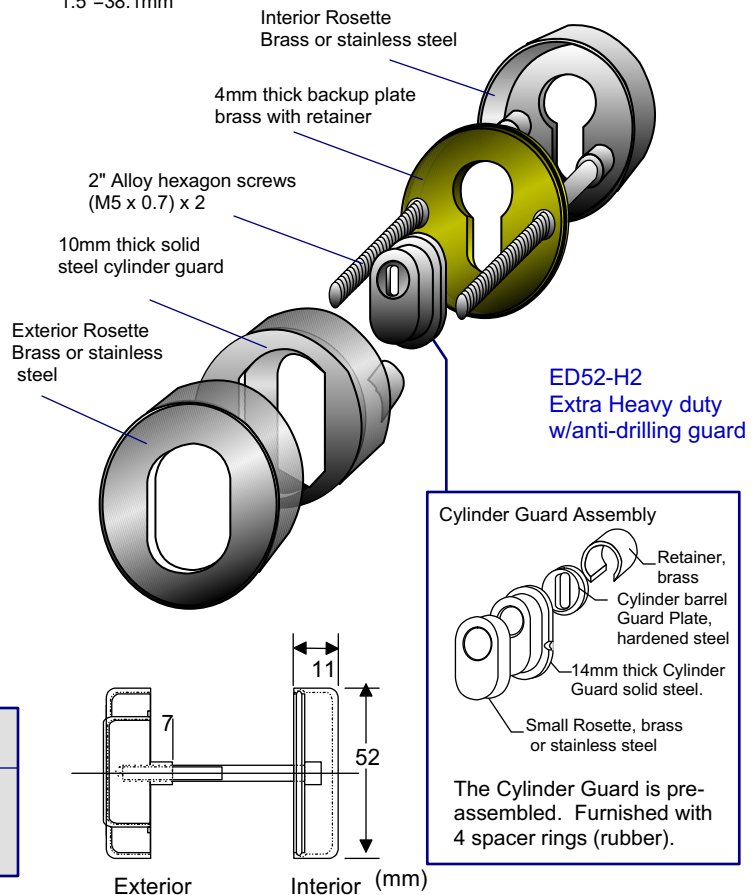
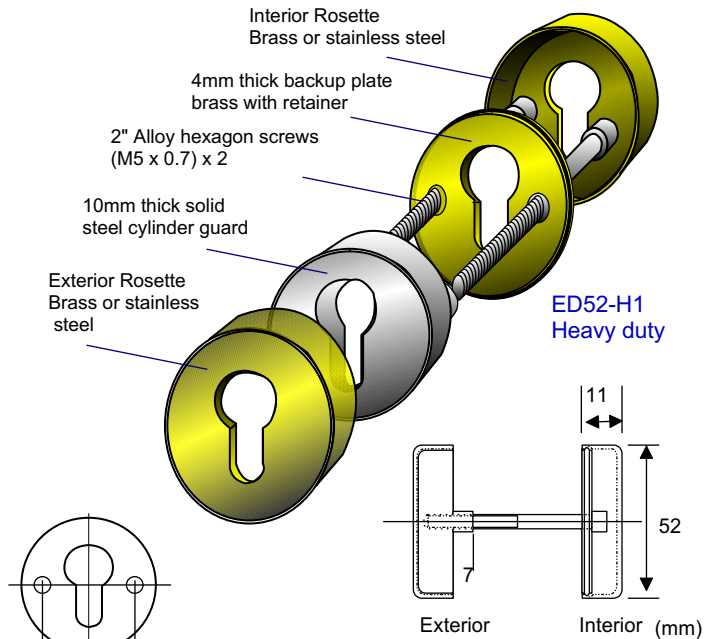
The model ED52-H2, superior duty Cylinder Rosette is constructed with a solid steel cylinder guard. An anti-drilling hardened steel guard plate is installed inside the cylinder guard to add extra security. The cylinder guard is furnished with 4 rubber spacers to allow for the proper installation of the cylinder.

A pair of 2" long alloy bolting screws for both models are included as standard. Bolting screws are concealed behind the finished rosette.

Finishes in stock:
US10B, 3, 32, 32D & 4



| Stock No. | Description |
|-----------|--------------------------------|
| ED52-H1 | Heavy duty cylinder rosette |
| ED52-H2 | Superior duty cylinder rosette |



E19

Service Menu / F400

- Egress/Handing Rotation

For Series F400 Euro Mortise Lock cases

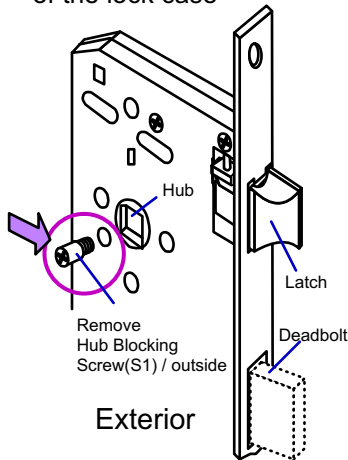
The handing of the Spring Latch and Egress function of the Baton Series 'F' Euro Mortise Lock Cases are field-reversible. **Removing the case cap to change the handing is not necessary.** Please follow instructions to rotate the Spring Latch and to activate the Hubs.

A) To Activate the Lever Hubs and to set the Egress function :

The lock case is pre-assembled with a rigid hub set by Blocking Screws on both sides. Please follow the steps below to release the Hubs and to engage the Egress function. (Note: The Egress function enables the inside Lever to retract Latch and Deadbolt simultaneously - to open the door in one action). Take the following steps after determining which is to be the interior/exterior of your lock case.

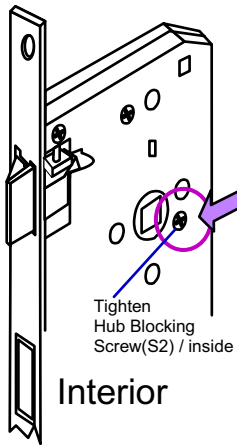
Step 1 -

Remove the **Hub Blocking Screw** at the **Exterior** side of the lock case



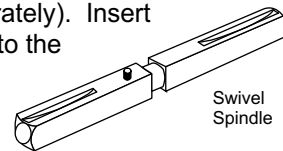
Step 2 -

Tighten the hub blocking screw located at the Interior



Step 3 -

Test the lock / Egress function - Throw the deadbolt with a Profile Cylinder (To be ordered separately). Insert the Swivel Spindle into the hub to test the Hubs with a Lever



The **Exterior Lever** (the side without a Hub Blocking Screw) retracts the Latch, but does not engage to the Deadbolt. The **Interior Lever** retracts Latch and Deadbolt simultaneously

Note:

You must use a Swivel Spindle to engage the Egress feature. If your Trim package is provided with a solid Spindle and you do not want to have the Egress feature; the interior Hub Blocking Screw (S2) must be also removed.

B) To set the lock without Egress -

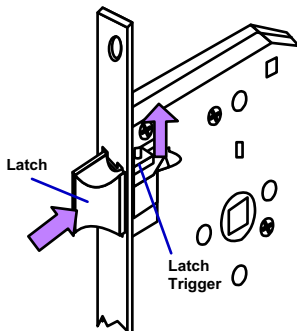
Simply remove the Hub Blocking Screws on both side, the lock then works as without egress (F408). Lock case of without egress can also be set back to feature egress function (F413) by fasten the "Hub Blocking Screw" on interior side.

C) Rotate the Spring Latch -

The Spring Latch is assembled for Right Hand or Left Hand Reverse. If this is correct for your application, there is no need to rotate the Latch. However, the Latch can be rotated thusly.

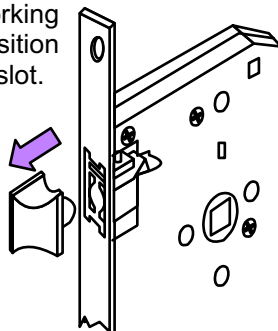
Step 1 -

Depress the latch about 1/16" until you can Slide up the Latch Trigger



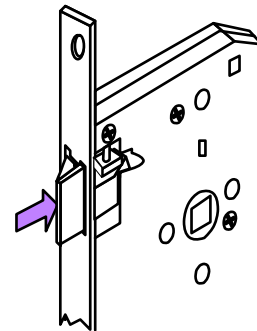
Step 2 -

Remove the latch, rotate 180 degree and snap back to its working position in slot.



Step 3 -

Press the latch all the way back to the lock case. It's done.



Service Menu / F400

- Egress/Handing Rotation

For Series F400 Euro Mortise Lock cases

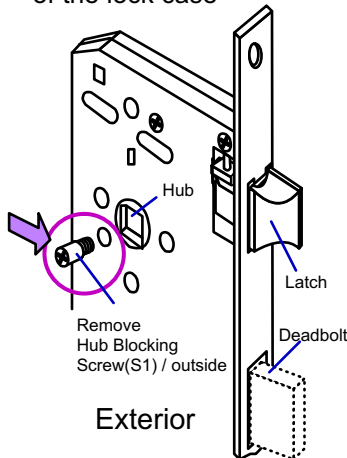
The handing of the Spring Latch and Egress function of the Baton Series 'F' Euro Mortise Lock Cases are field-reversible. **Removing the case cap to change the handing is not necessary.** Please follow instructions to rotate the Spring Latch and to activate the Hubs.

A) To Activate the Lever Hubs and to set the Egress function :

The lock case is pre-assembled with a rigid hub set by Blocking Screws on both sides. Please follow the steps below to release the Hubs and to engage the Egress function. (Note: The Egress function enables the inside Lever to retract Latch and Deadbolt simultaneously - to open the door in one action). Take the following steps after determining which is to be the interior/exterior of your lock case.

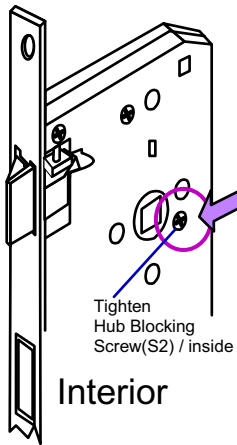
Step 1 -

Remove the **Hub Blocking Screw** at the **Exterior** side of the lock case



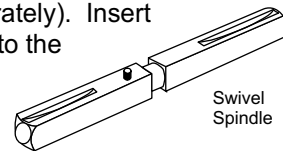
Step 2 -

Tighten the hub blocking screw located at the Interior



Step 3 -

Test the lock / Egress function - Throw the deadbolt with a Profile Cylinder (To be ordered separately). Insert the Swivel Spindle into the hub to test the Hubs with a Lever



The **Exterior Lever** (the side without a Hub Blocking Screw) retracts the Latch, but does not engage to the Deadbolt. The **Interior Lever** retracts Latch and Deadbolt simultaneously

Note:

You must use a Swivel Spindle to engage the Egress feature. If your Trim package is provided with a solid Spindle and you do not want to have the Egress feature; the interior Hub Blocking Screw (S2) must be also removed.

B) To set the lock without Egress -

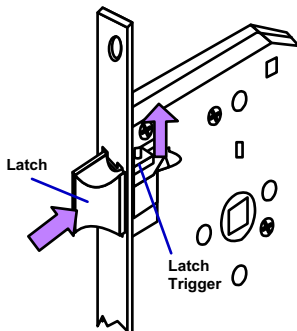
Simply remove the Hub Blocking Screws on both side, the lock then works as without egress (F408). Lock case of without egress can also be set back to feature egress function (F413) by fasten the "Hub Blocking Screw" on interior side.

C) Rotate the Spring Latch -

The Spring Latch is assembled for Right Hand or Left Hand Reverse. If this is correct for your application, there is no need to rotate the Latch. However, the Latch can be rotated thusly.

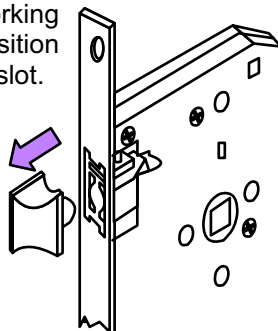
Step 1 -

Depress the latch about 1/16" until you can Slide up the Latch Trigger



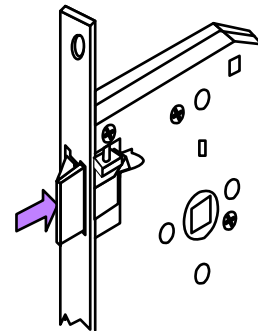
Step 2 -

Remove the latch, rotate 180 degree and snap back to its working position in slot.



Step 3 -

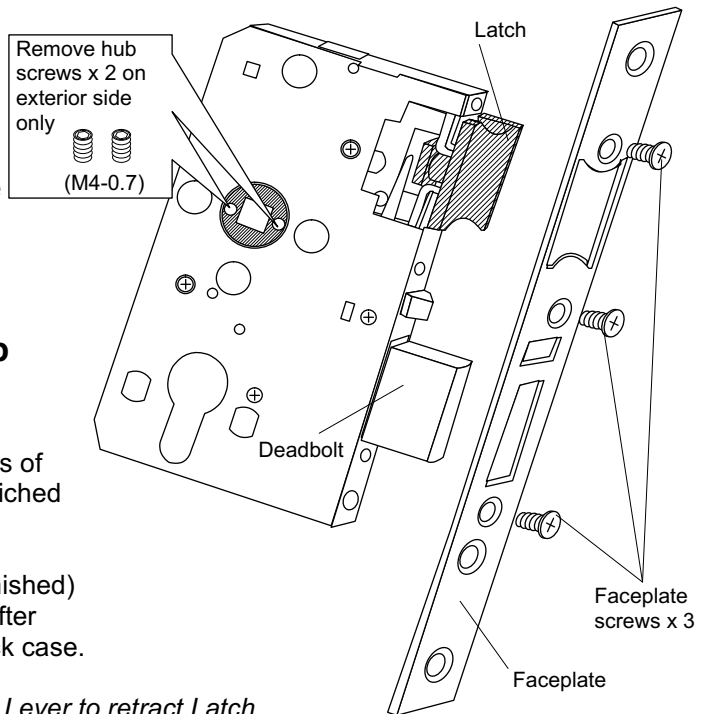
Press the latch all the way back to the lock case. It's done.



Service Menu / F518 Euro Auto Lock

- Handing Activation/change Menu

The handing of the Spring Latch and Egress function of the Baton model F518 Euro Auto Lock Case is field-reversible. Removing the case cap to change the handing is not necessary. Please follow instructions to rotate the Spring Latch and to disable the exterior hub.



E22

A) To disable the exterior Lever hub and set Egress function

The lock case is assembled with activate hubs of both sides - the Egress Hub Trigger is sandwiched between Exterior Hub and Interior Hub..

Simply to use the 2mm hexagon wrench (furnished) to remove the exterior side Hub Screws x 2 after determining which is to be exterior of your lock case.

Note: The Egress function enables the inside Lever to retract Latch and Deadbolt simultaneously - to open the door in one action.

B) To Rotate the Spring Latch -

The Spring Latch of this lock case is assembled with Right Hand or Left Hand Reverse. If this is correct for your application, there is no need to rotate the Latch. However, the Latch can be rotated thusly..

Step 1 -

Remove the Faceplate Screws x 3

Step 2 -

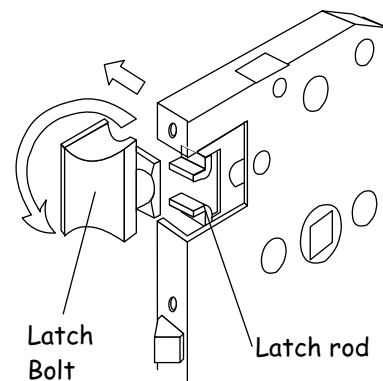
Remove the Faceplate

Step 3 -

Slide the Latch Bolt to either side of the lock case, rotate the Latch 180 degree and snap back to its working position in Latch Rod

Step 4 -

Attach the Faceplate and fasten with the Faceplate Screws x 3



Note:

Make sure the inner section of the Swivel Spindle(excluded) is well connected with the Inner Hub and the center Egress Hub Trigger. The outer section of the Swivel Spindle is integrated with the Exterior Hub only, or to leave no connection with Exterior Hub.

If your outside Lever does not have a spring cage/power pack with detained cam stop, the outside Lever must be set to rigid.

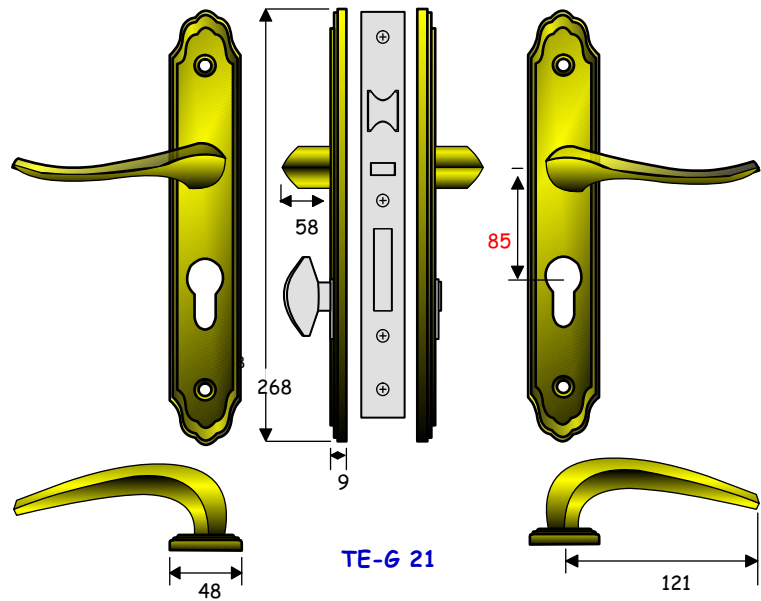
Exterior Lever must be set rigid or inoperatively.

**Models TE-G Brass & TE-H Stainless Steel
Trim Set for 'E' Euro Mortise Lock Case**

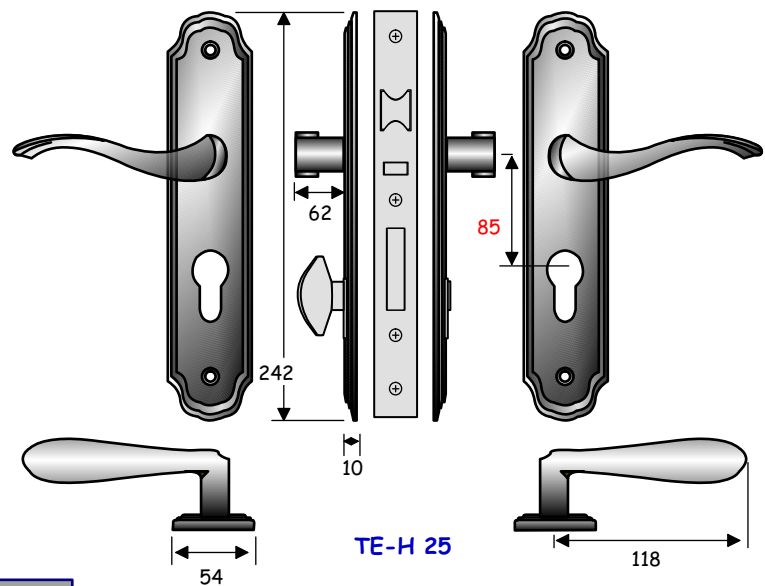
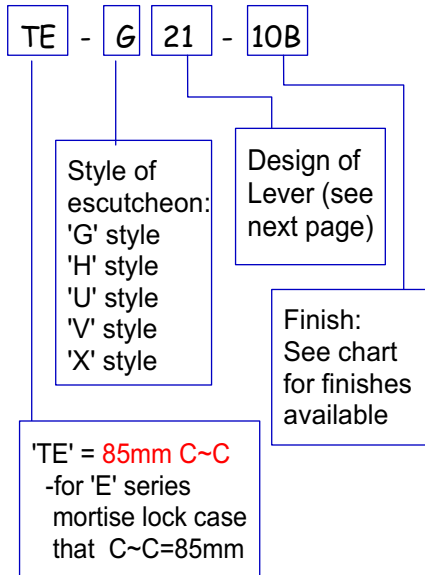
Models 'TE-G' and 'TE-H' Trim Sets are also designed to accommodate 'E' series Euro Mortise Lock case that is formed with 85mm Lever Center to Cylinder center as shown on page 34 and page 36.

The model TE-G21 is made of forged brass. Model TE-H25 is made of investment cast stainless steel.

Hub size: 8mm on square



Code Interpretation Guide



| Model Nos. | Material | Finish |
|------------|-----------------------------------|----------|
| TE-G21 | Forged Brass | 10B, PVD |
| TE-H25 | Investment casted Stainless steel | 32D |

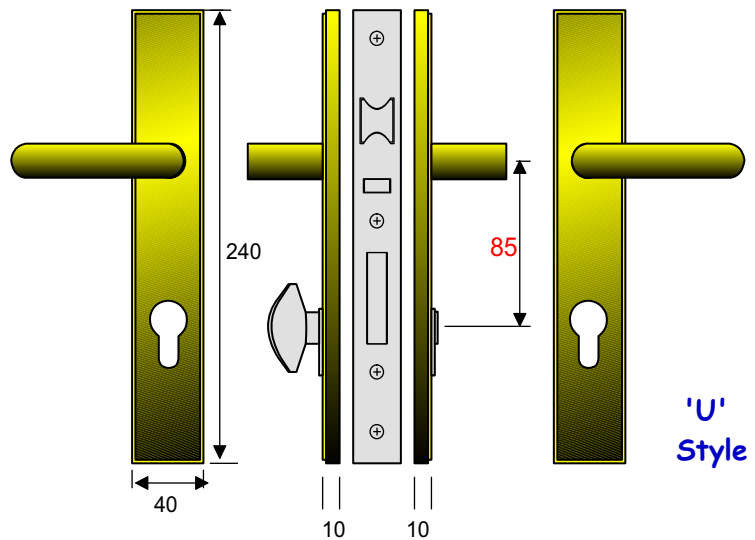
Cylinder and Mortise lock case are excluded. Please see pages E01 to E03 for series 'E' Mortise Lock Cases and page E14~E15 for the 'EC' Euro Profile Cylinder accessories.

**Series 'TE' Trim Set for
'E' Euro Mortise Lock Case**

Baton Series 'TE' Trim Sets are designed to accommodate European style Mortise lock cases (see page 33 to 36 for various function of Series 'E' Euro Mortise Lock Case).

Nine (9) styles of forged brass Levers as shown on the page followed are available for adopting to the following 3 styles of the escutcheons.

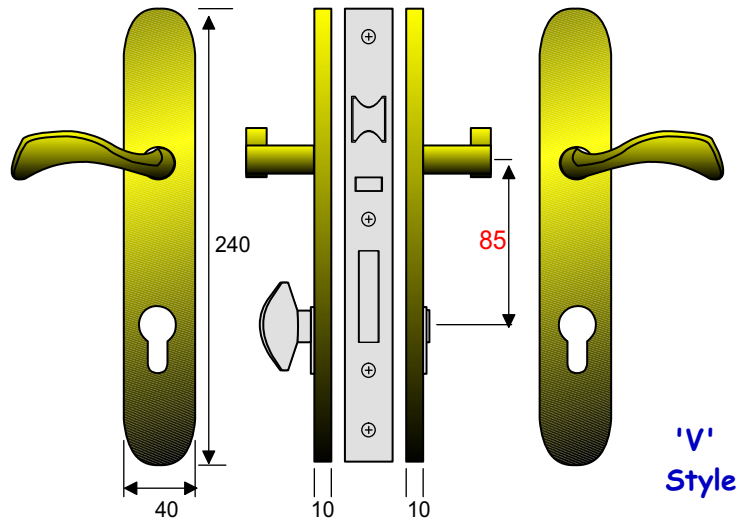
- 'U' style
- 'V' style
- 'X' style



'U' Style

The escutcheon both of the 'U' and 'V' styles are made of forged brass. The 'X' style sectional brass trim set consists of 2 sets of Rosettes, one for the Lever and one for the Euro Profile Cylinder. The 'X' style features a double rosette design. The bolting screws are concealed behind the clip-on upper Rosette.

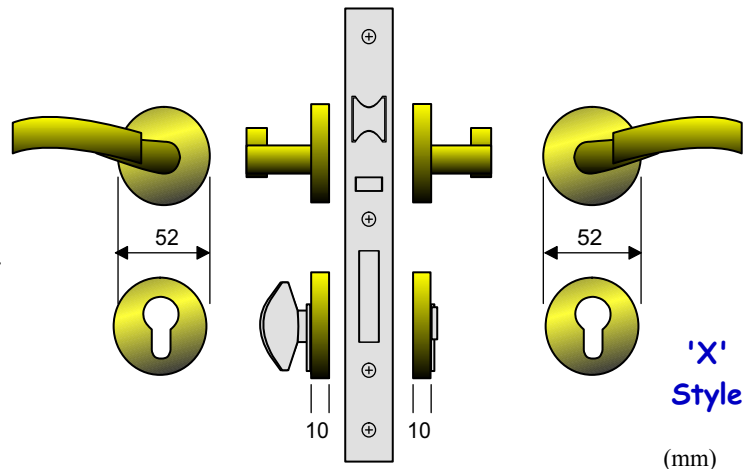
Hub size: 8mm on square



'V' Style

| Model Nos. | Description | Finish |
|------------|-------------------|-------------------|
| TE-U__ | 'U' type trim set | (See next page) |
| TE-V__ | 'V' type trim set | |
| TE-X__ | 'X' type trim set | |

Cylinder and Mortise lock case are excluded. Please see pages E01 to E07 for 'E', 'F' Mortise Lock Cases, and page E14, E15 for 'EC' Euro Profile Cylinder accessories.

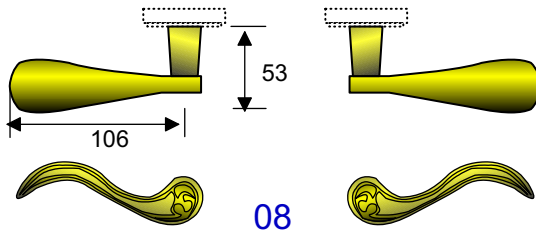
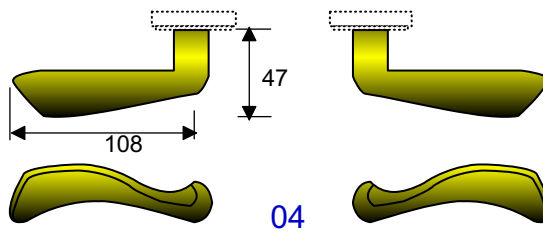
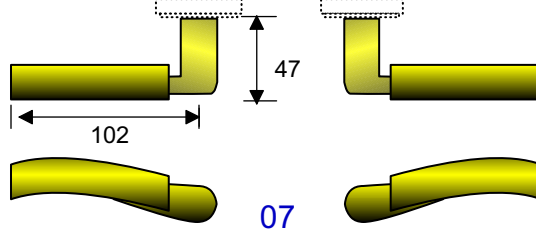
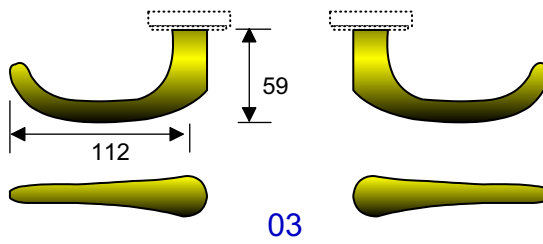
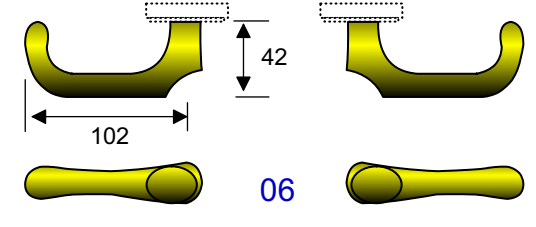
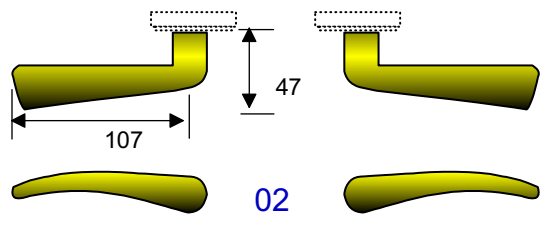
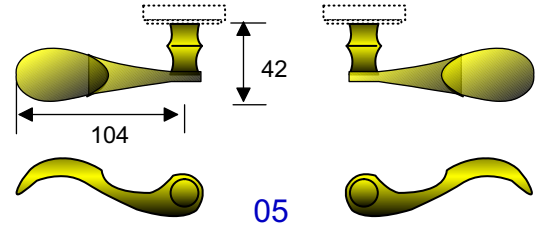
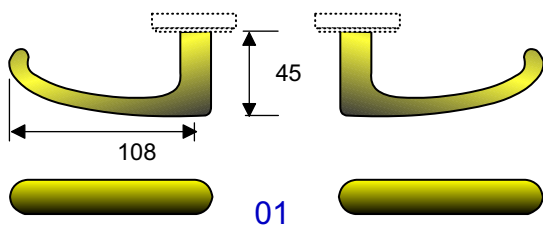


'X' Style

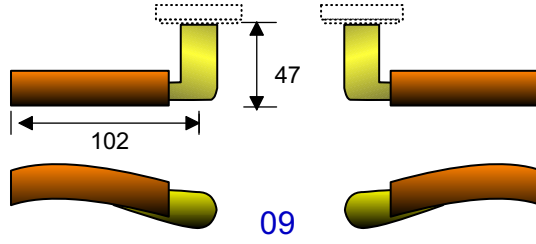
(mm)

Classic & Modern Brass Levers for Series 'TE' Trim Sets

The Levers shown below are designed to accommodate 'TE' Trim Sets, both for the one-piece construction 'U' or 'V' escutcheons, and style 'X' the Modern/small sectional rosette. Various finishes are available to order.

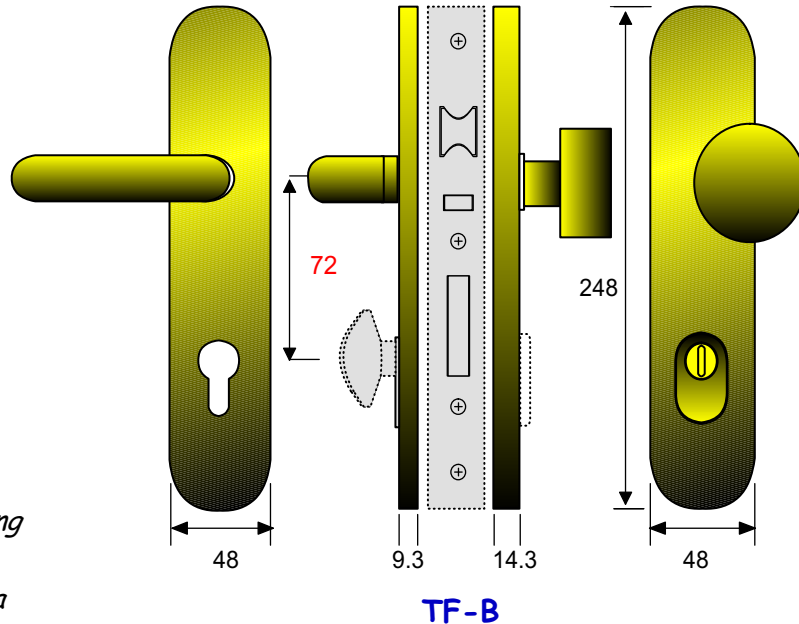


| Model Nos. | Material | Finish |
|--------------------------------|-------------------------------|-------------------------------|
| 01, 02, 03, 04, 05, 06, 07, 08 | Wrought brass | 10B, 15, 15A, 26, 26D, 3, PVD |
| 09 | Wrought brass w/mahogany deco | 26, PVD |



**Series TF-B & TF-D Super Duty Trim Set
for 'F' Euro Mortise Lock Case**

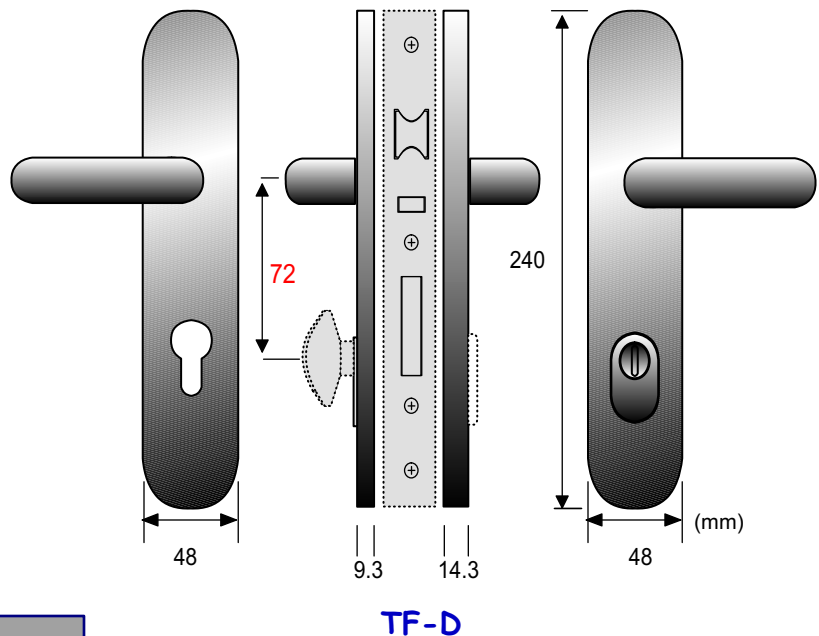
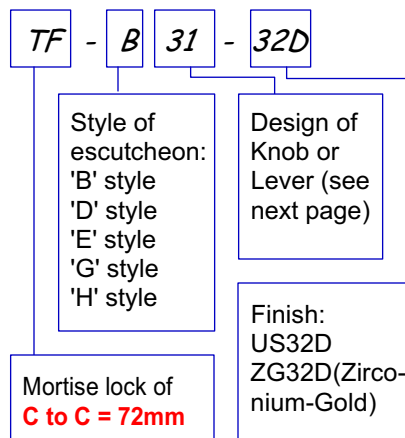
The Series TF-B and TF-D Super Duty Trim sets are designed for extra special security. Heavy gauge stainless steel exterior escutcheon is constructed with a 1/2" thick solid one-piece construction steel plate and is secured with 3 alloy bolting screws over the 5mm thick interior bracket. An anti-drilling hardened steel guard plate is installed inside the length-adjustable cylinder protection assembly to add extra security. It provides extra protection against pulling, drilling, hammering or prying open by a burglar. Model TF-B Lever set features a rigid outside pull knob.



Finishes: US32D & PVD

T15

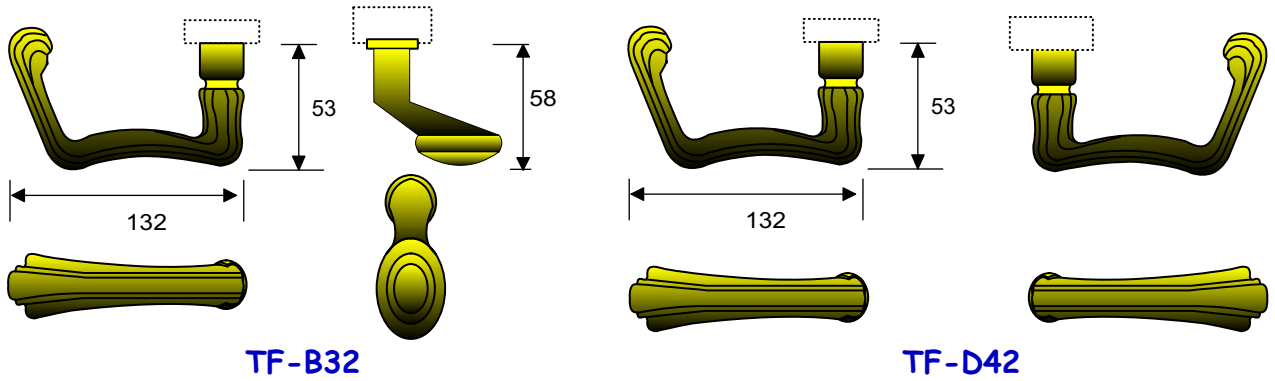
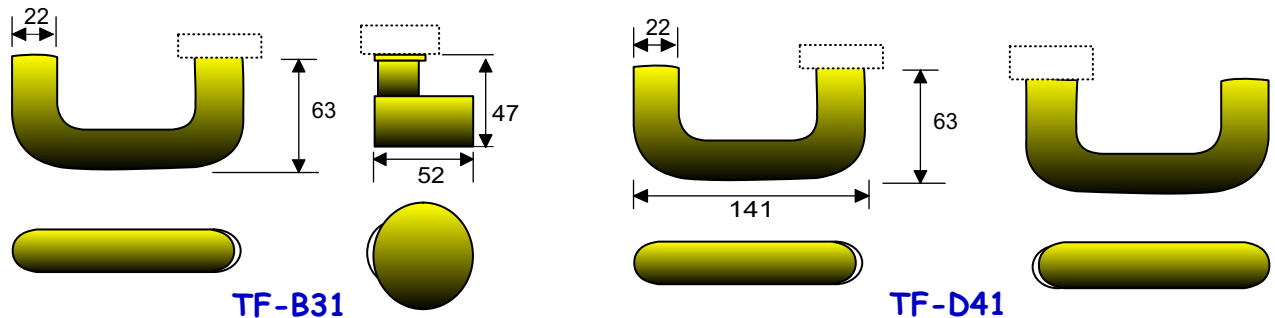
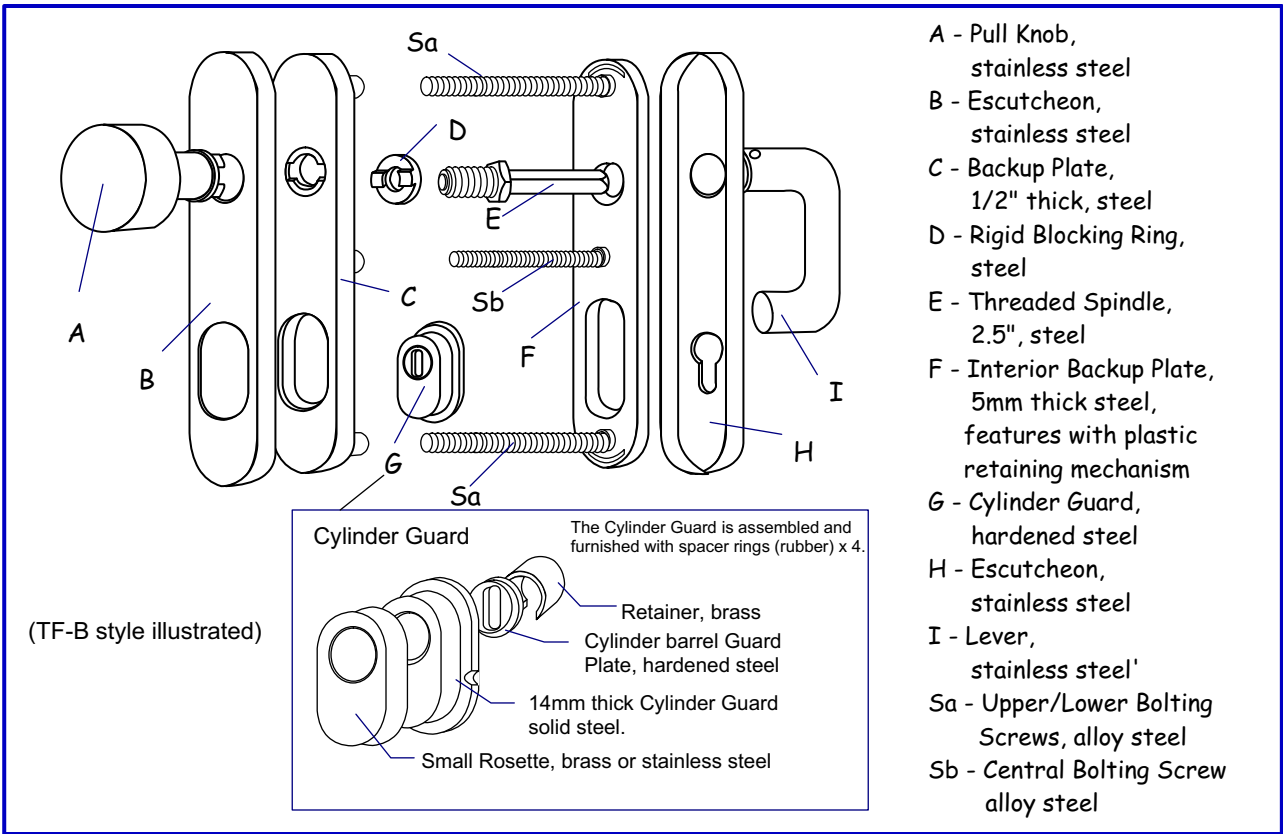
Code Interpretation Guide



| Model Nos. | Description | Finish |
|------------|------------------------|----------|
| TF-B31 | 'B' style trim set K/L | 32D, PVD |
| TF-B32 | 'B' style trim set K/L | " |
| TF-D41 | 'D' style trim set L/L | " |
| TF-D42 | 'D' style trim set L/L | " |

Cylinder and Mortise lock case are excluded. Please see page E06, E07 for 'F' Mortise Lock Cases and pages E14 to E16 for 'EC' Euro Profile Cylinder and accessories.

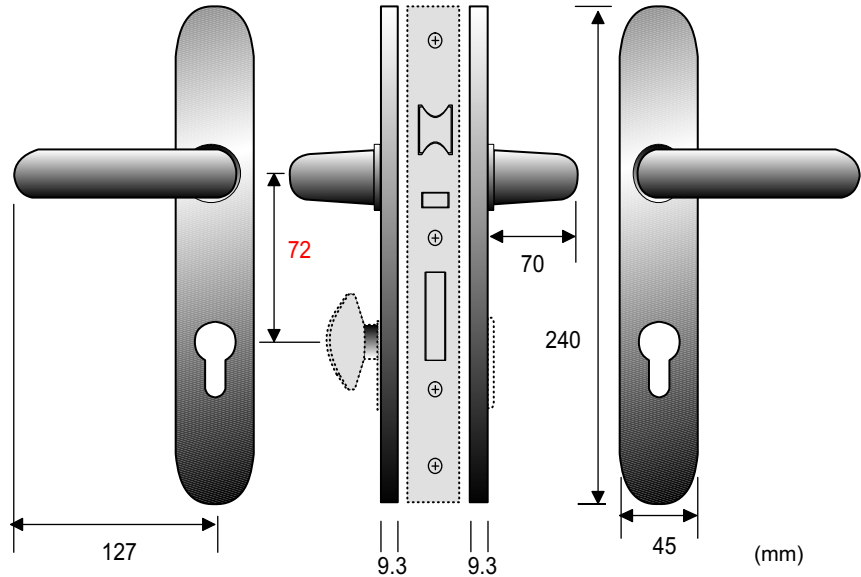
Stainless Steel Pull Knob and Lever for series TF-B & TF-D Super Duty Trim Set



Model TF-E Stainless Steel Trim Set for 'F' Euro Mortise Lock Case

Cast investment solid stainless steel lever featured with heavy gauge stainless steel escutcheon.

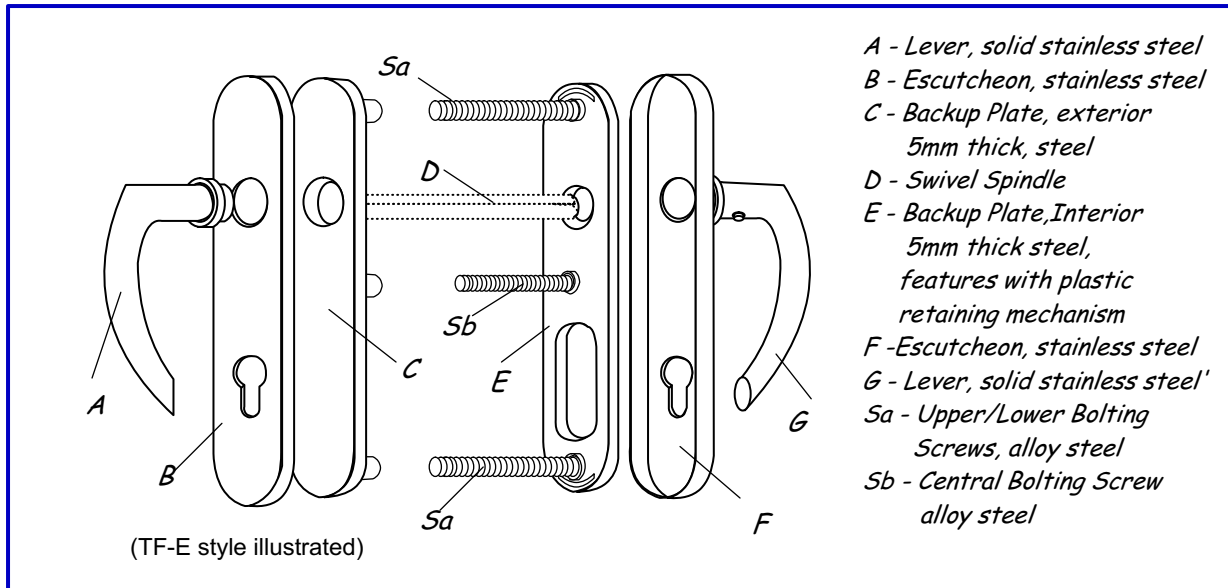
Both of the exterior and interior escutcheons are constructed with a 5mm thick steel backup plate; and are secured with 3 alloy bolting screws between door. It provides extra protection against pulling, drilling, hammering or prying open by burglar. Bolting screws are concealed and covered by the click-on escutcheos.



Finishes: US32D & PVD

TF-E

T17



| Model Nos. | Material | Finish |
|------------|-----------------------------------|----------|
| TF-E45 | Investment casted Stainless steel | 32D, PVD |

Cylinder and Mortise lock case are excluded. Please see pages E06, E07 for series 'F' Mortise Lock Cases and page E14 to E16 for the 'EC' Euro Profile Cylinder and accessories.

**Models TF-G Brass & TF-H Stainless Steel
Trim Set for 'F' Euro Mortise Lock Case**

These two elegance 'TF' Trim Sets are also designed to accommodate Baton 'F' series Euro Mortise Lock case that is formed with 72mm Lever Center to Cylinder center as shown on page E06 and E07.

Material:

Model TF-G21

Escutcheon - Forged brass
Lever - Forged brass.

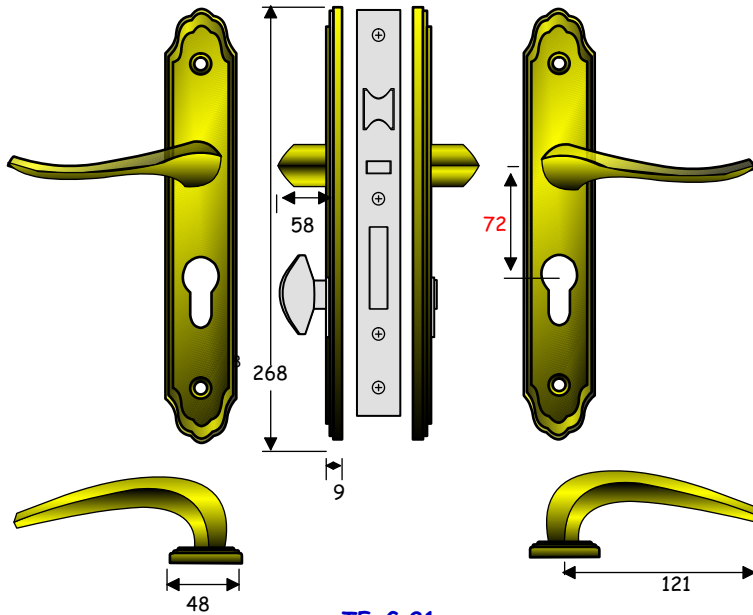
Model TF-H25

Escutcheon - Cast investment
stainless steel.

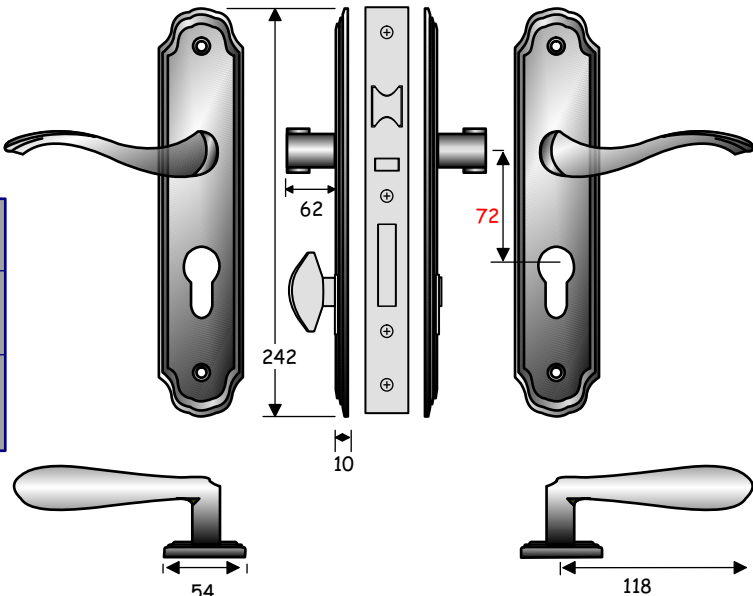
Lever - Cast investment
stainless steel

Hub size: 8mm on square

| Model No. | Material | Finish |
|-----------|---------------------------------|----------|
| TF-G21 | Forged Brass | 10B, PVD |
| TF-H25 | Cast Investment Stainless steel | 32D |



TF-G 21



TF-H 25

Cylinder and Mortise lock case are excluded. Please see pages E06, E07 for series 'F' Mortise Lock Cases and page E14 to E16 for the 'EC' Euro Profile Cylinder and accessories.

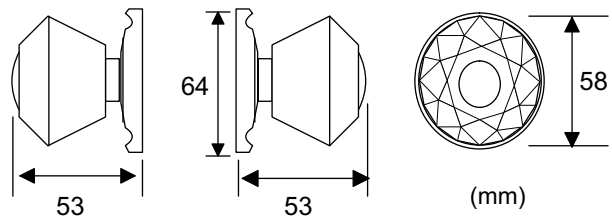
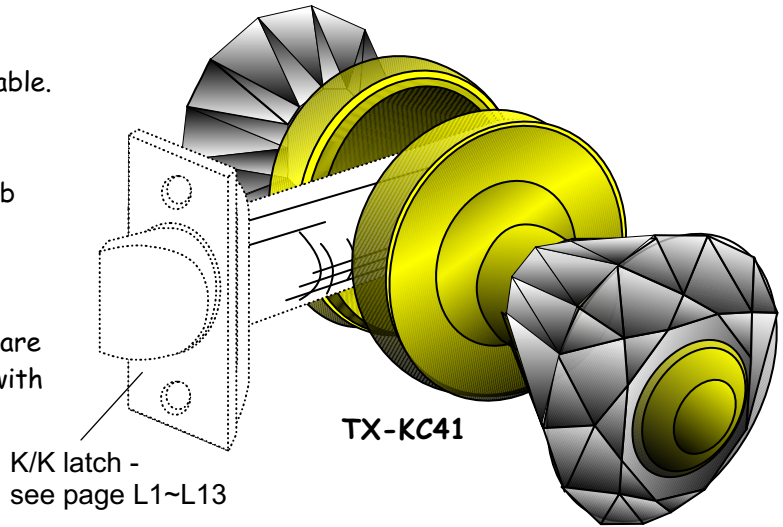
Series 'TX-K'
Crystal & Brass Knob Sets

Baton Series 'TX-K' Knob Sets combine style and beauty. Three models are available.

Model TX-KC41 is featured with 2-5/16" Crystal Glass Knobs. The Rosette and knob shank are made of brass. Finish: US26 & PVD

The knob of Models TX-KM53 and KM54 are made of forged brass, and are featured with a double Rosette design. The bolting screws are concealed behind the Snap-On upper Rosette. Both the upper and lower Rosettes are made of wrought brass. Hub size: 8mm on square

Finishes available :
US10B, 15, 15A, 26, 3 & PVD

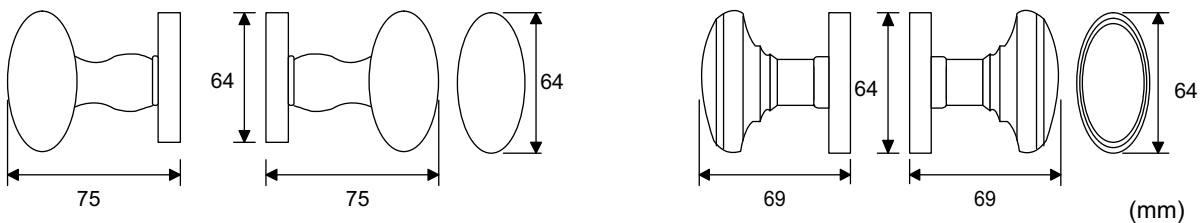
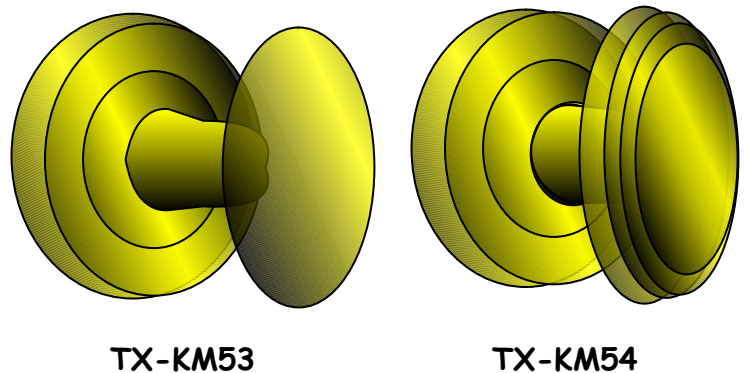


| Model Nos. | Description |
|------------|-------------------------|
| TX-KC41 | Knob set, Crystal glass |
| TX-KM53 | Knob set, Forged brass |
| TX-KM54 | Knob set, Forged brass |

T21

Latch and Mortise Lock case and Spindle are separate purchase items. Please refer to

- pages L01~L09 for Series 'LT' Tubular Latches and related accessories
- pages A01 to A10 for Series 'A' Mortise Lock Cases and
- pages D10, D11 and E01~E13 for Series 'D', 'E', 'F', 'G', 'K' Mortise Lock Cases
- page T25 for optional Spindles



**Series 'TX-LJ' Lever Sets
- Stainless Steel**

Series TX-LJ Lever Sets are featured with Baton's LT-RA281 Rosette Adapter, coupled with stainless steel Rosettes and Levers.

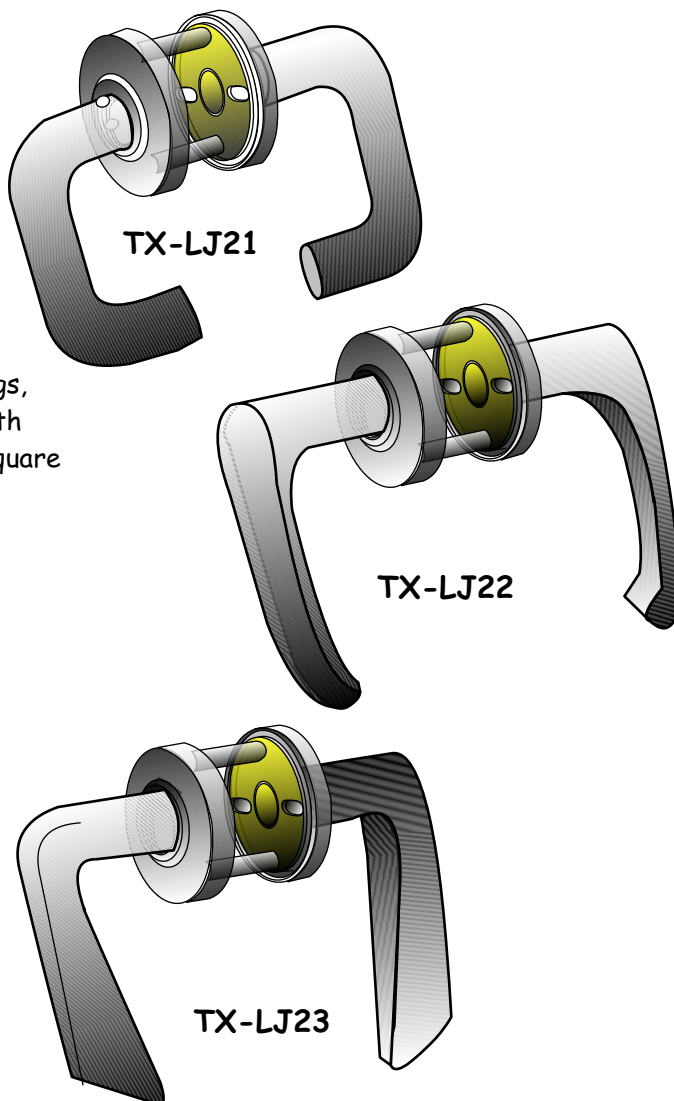
The concealed Mounting screw design allows these Lever sets to be used for series 'A' Mortise Lock, series 'F', 'E' Euro Mortise Lock, series 'D' Mortise Lock and series 'LT' Tubular Latches.

The package comes with 2 nylon spindle bushings, for 7.3mm and 8.0mm spindles, to ensure smooth and long lasting operation. Hub size: 8mm on square. Specify Passage or Privacy when ordering.

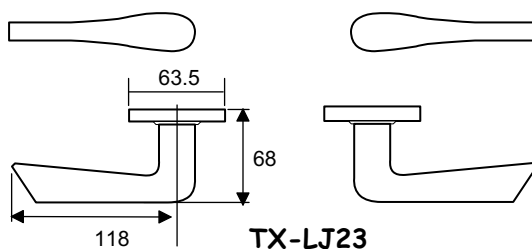
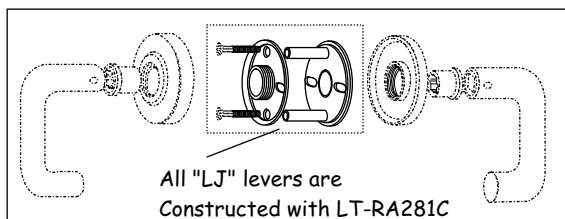
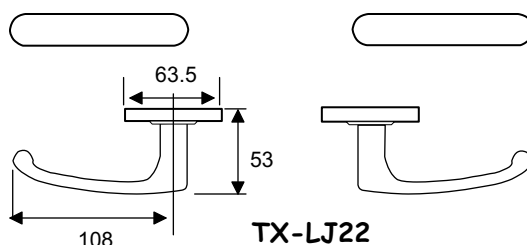
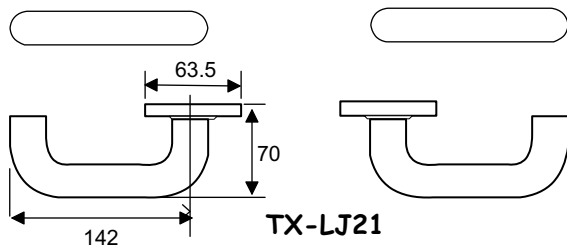
| Stock No. | Description & finish |
|-----------|----------------------|
| TX-LJ21 | Lever set, US32D |
| TX-LJ22 | Lever Set, US32D |
| TX-LJ23 | Lever Set, US32D |

Latch and Mortise Lock case and Spindle are separate purchase items. Please refer to

- a) pages L01~L09 for Series 'LT' Tubular Latches and related accessories
- b) pages A01 to A10 for Series 'A' Mortise Lock Cases and
- c) pages D10, D11 and E01~E13 for Series 'D', 'E', 'F', 'G', 'K' Mortise Lock Cases
- d) page T25 for optional Spindles



T22

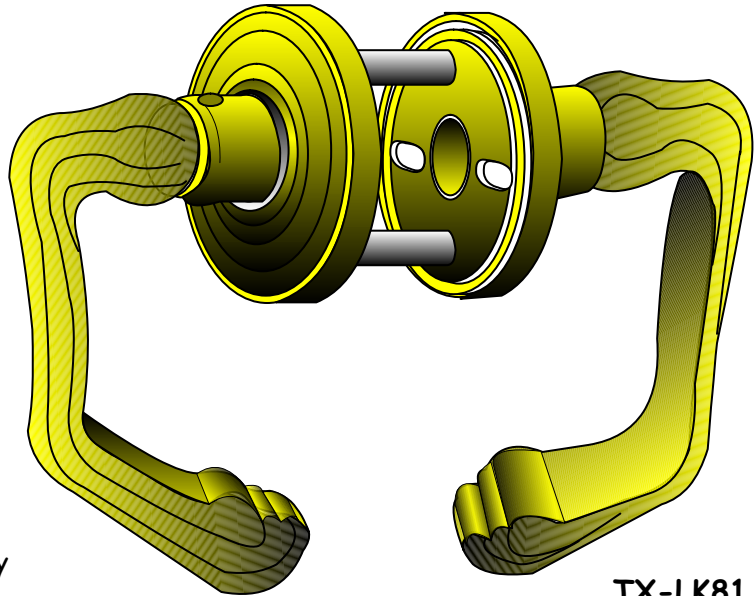


**Model TX-LK81 Classic Lever Set
- Solid Stainless Steel**

Baton Series TX-LK81 Lever Set combines elegance and classic beauty. The investment casting stainless steel solid Lever and 2mm thick Rosette are constructed with Baton's plug type Rosette Adapter (LT-RA281D). Bolting screws are concealed, and coupled with unmatched style and reliability.

The 1-1/2" center to center threaded post works with Series 'LT' Tubular Latch and Series 'A' Mortise Lock cases.

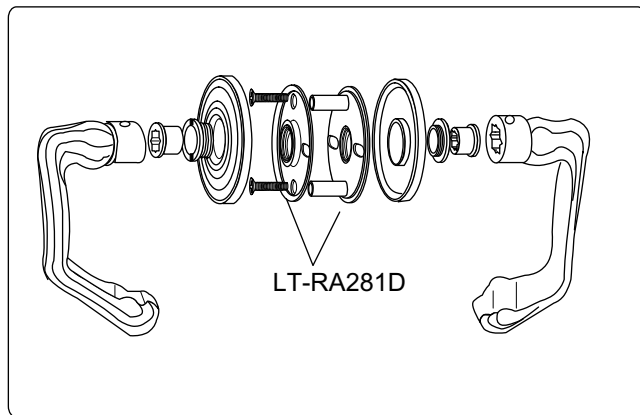
Hub size: 8mm on square. Please refer to page 83 for optional Spindles. Specify Passage or Privacy when ordering.



TX-LK81

Finishes:

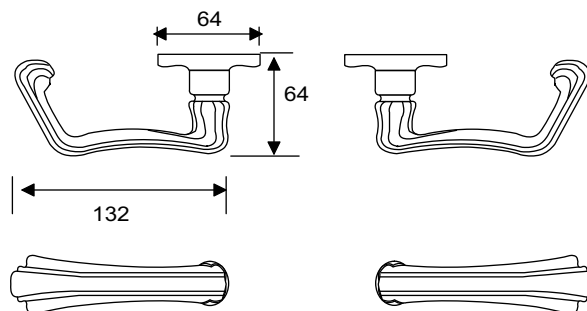
- US32 Bright polished stainless steel
- US32D Satin stainless steel
- ZG32 Bright polished stainless steel and Zirconium/Gold
- ZG32D Satin stainless steel and Zirconium/Gold



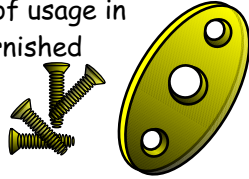
| Sock No. | Description |
|----------|-------------------|
| TX-LK81 | Classic Lever Set |

Latch and Mortise Lock case and Spindle are separate purchase items. Please refer to

- a) pages L01~L09 for Series 'LT' Tubular Latches and related accessories
- b) pages A01 to A10 for Series 'A' Mortise Lock Cases and
- c) pages D10, D11 and E01~E13 for Series 'D', 'E', 'F', 'G', 'K' Mortise Lock Cases
- d) page T25 for optional Spindles



Baton series 'TX-T' Thumb Turns are made of forged brass. The optional 5mm square and breakable flat style steel spindles provide a wide range of usage in many applications. Furnished with front plate and mounting screws.

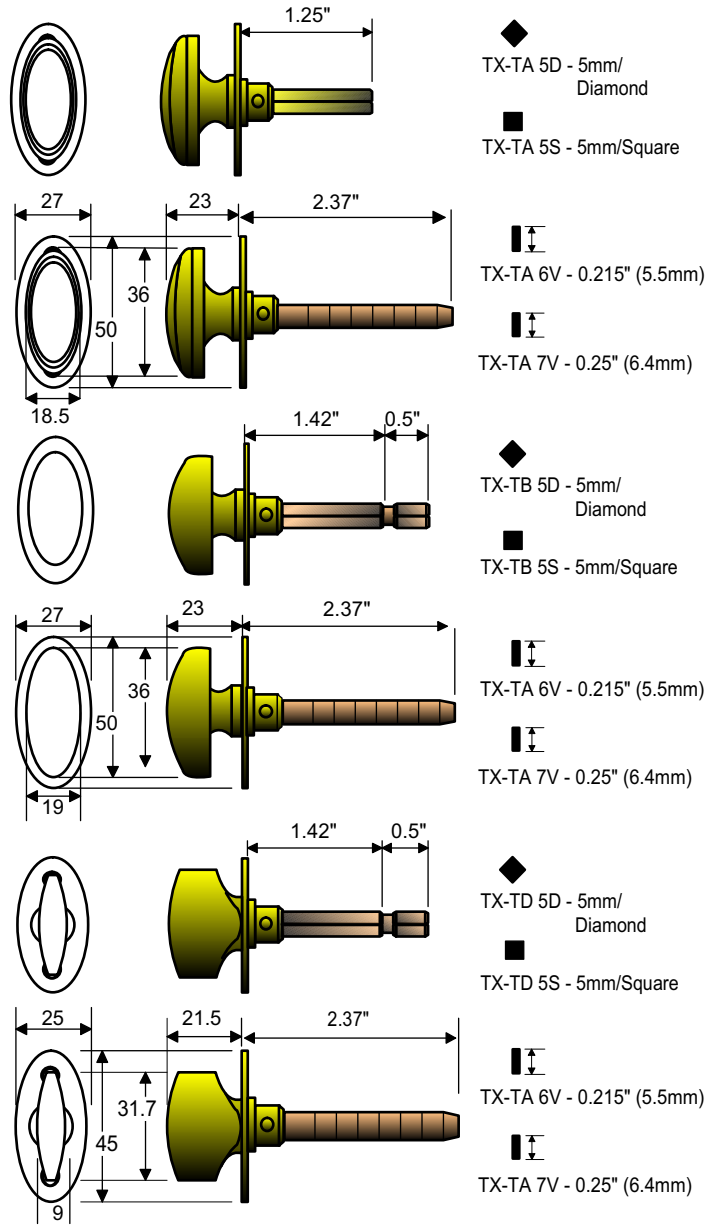
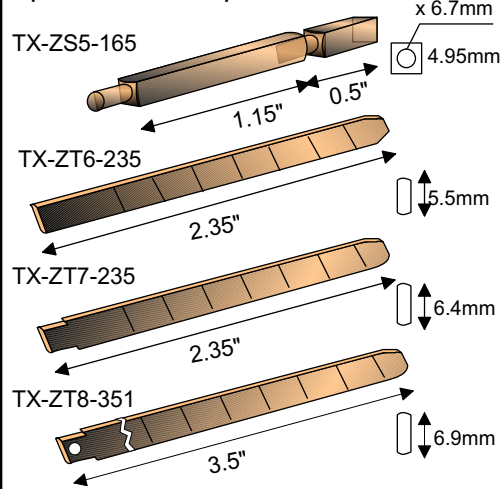


Finishes available:

- TA - US10B, 15, 15A, 26, 3
- TB - US10B, 15, 19, 26, 26D, 3
- TD - US10B, 15, 19, 26D, 3



Spindle and snapable Tails



T24

| Model Nos. | Spindle type | Hub styles to fit | Baton products to fit |
|----------------------------------|----------------------|-------------------|--|
| TX-TA 5D TX-TB 5D TX-TD 5D | 5mm on Diamond | | Mortise lock case series A & C, D Mortise bolts LT245MB, LT780/783/786MB Dead bolt latch D400-DA/DB/DC/DF/DH |
| TX-TA 5S TX-TB 5S TX-TD 5S | 5mm on Square | | LT245MB and Euro style latch/bolt comes with 5mm on square hub |
| TX-TA 6V TX-TB 6V TX-TD 6V | 0.215" W on Vertical | | Mortise lock case series A, Hook lock C275HX, Mortise bolt LT245MB, LT780/ 783/786 w/5mm on Diamond hub |
| TX-TA 7V TX-TB 7V TX-TD 7V | 0.25" W. on Vertical | | Mortise lock cases series D500, D600 Deadbolt latches D4 |

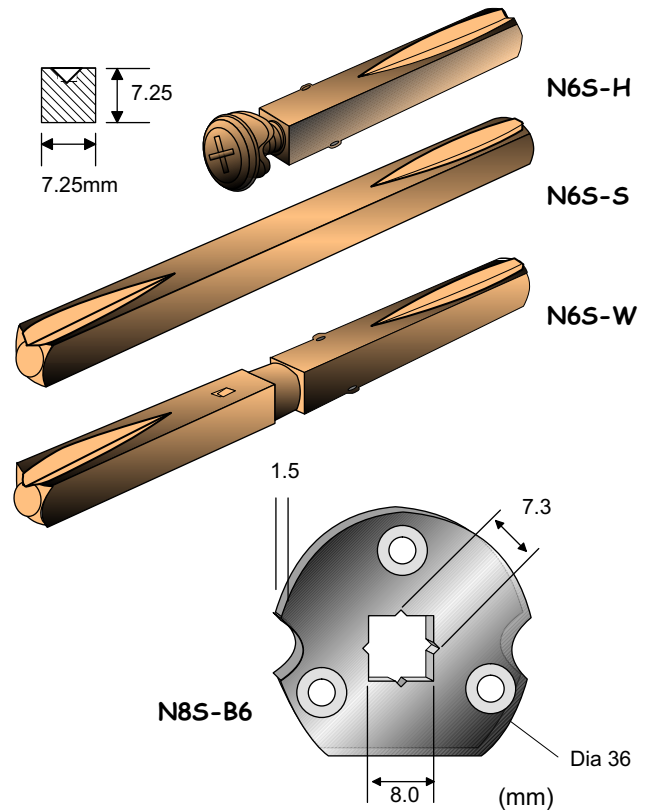
Series 'N6S' Spindle and Dummy Adapter - 7.3mm

Spindles

Baton's series 'N' Spindles are made of wrought steel for 7.3mm hub. Available with the following models:

- Half Spindle -
for Grip Handle on one side with interior Knob/Lever trim (HL or HK).
- Solid Spindle -
one piece construction, for Passage.
- Swivel Spindle -
for Privacy and Entrance.

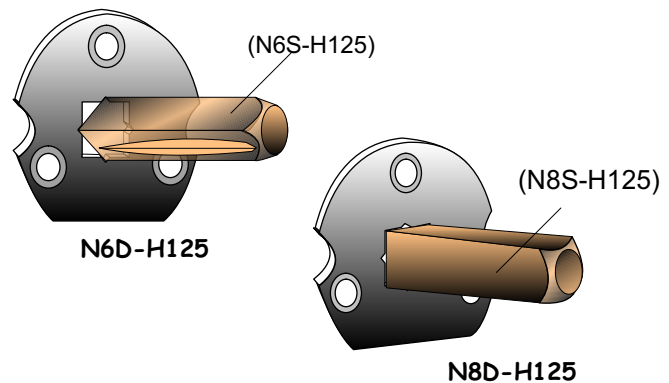
| Stock No. | Description |
|-----------|---------------------|
| N6S-H125 | Dummy Spindle 1.25" |
| N6S-H275 | Half Spindle 2.75" |
| N6S-S400 | Solid Spindle 4" |
| N6S-S450 | Solid Spindle 4.5" |
| N6S-S500 | Solid Spindle 5" |
| N6S-W400 | Swivel Spindle 4" |
| N6S-W450 | Swivel Spindle 4.5" |
| N6S-W500 | Swivel Spindle 5" |



Dummy Spindle & Bracket - for Dummy trim

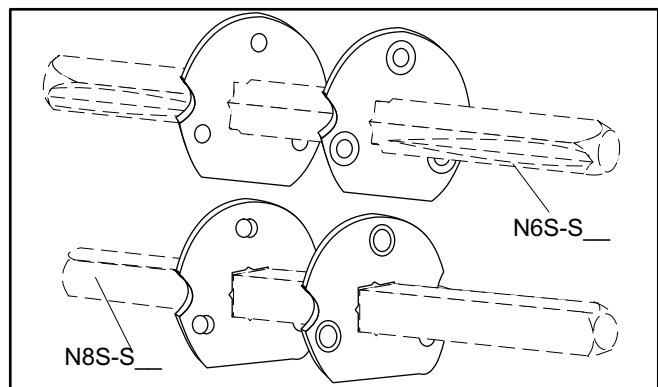
Stainless steel, with 7.3mm on diamond plus 8mm on square broaching, can be accommodated with both 7.3mm or 8.0mm spindles:

- a) Half Spindle for single side dummy trim
- b) Solid Spindle for double side dummy trim
- c) Swivel Spindle for one side dummy and other side active.



Furnished with 3/4" wood screws x 3

| Stock No. | Description |
|-----------|---|
| N8S-B6 | Spindle Bracket, for 7.3 & 8mm Spindles |
| N6D-H125 | Dummy Spindle set 7.3 mm x 1.25" |
| N8D-H125 | Dummy Spindle set 8mm x 1.25" |



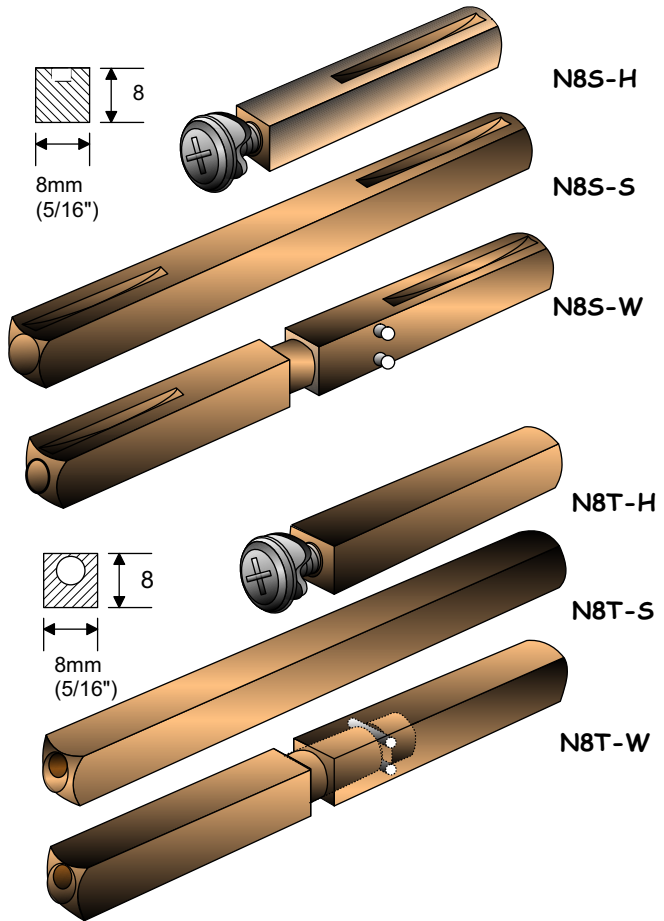
Series 'N8' Spindle, Dummy Bracket Hub Sleeve - 8mm

Spindles

Baton's series 'N' Spindles are made of wrought steel for 8mm hub. Two styles are available: 'NS' Spindles feature groove cut, facilitating the set screw of Knob/Lever mount without slipping. 'NT' Spindles feature a 7/16" off-center hole drilled to allow the pointed set screw to stick on to the spindle. Both styles are available with the following models:

- Half Spindle - for Grip Handle on one side with interior Knob/Lever trim (HL or HK).
- Solid Spindle - one piece construction, for Passage.
- Swivel Spindle - for Privacy and Entrance.

| Stock No. | Description |
|-----------|-----------------------|
| N8S-H 275 | Half Spindle 2.75" |
| N8S-S 400 | Solid Spindle 4" |
| N8S-S 450 | Solid Spindle 4.5" |
| N8S-S 500 | Solid Spindle 5" |
| N8S-W 400 | Swivel Spindle 4" |
| N8S-W 450 | Swivel Spindle 4.5" |
| NS8-W 500 | Swivel Spindle 5" |
| N8T-H 350 | Half Spindle 3.5" |
| N8T-S 400 | Solid Spindle 4" |
| N8T-S 437 | Solid Spindle 4.375" |
| N8T-S 500 | Solid Spindle 5" |
| N8T-S 700 | Solid Spindle 7" |
| N8T-W 400 | Swivel Spindle 4" |
| N8T-W 437 | Swivel Spindle 4.375" |
| N8T-W 450 | Swivel Spindle 4.5" |
| N8T-W 500 | Swivel Spindle 5" |
| N8T-W 700 | Swivel Spindle 7" |



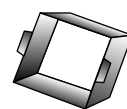
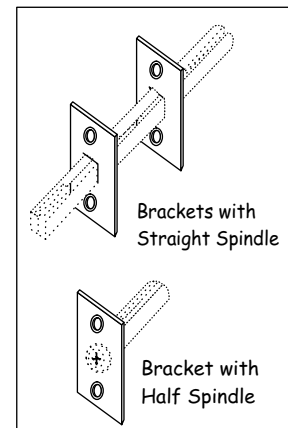
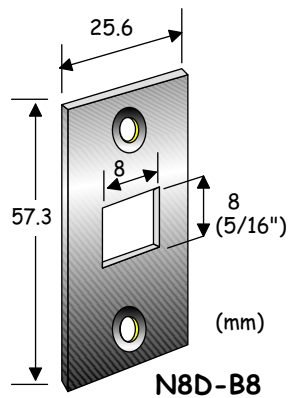
Spindle Bracket- for Dummy trim

Stainless steel, can be accommodated with
a) Half Spindle for single side dummy trim mount,
b) Straight Spindle for double side dummy trim mount, or c) Swivel Spindle for one side dummy and other side active.

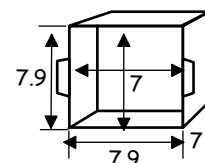
Hub Sleeve 7x7mm

-for converting a mortise lock case or Tubular Latch to take a 7x7mm spindle from a regular 8mm Hub. For the split hub application, simply insert the Hub Sleeve from each side of the Hubs.

| Stock No. | Description |
|-----------|-----------------------------|
| N8D-B8 | Spindle Bracket, w/2 screws |
| N8Z-H7 | Hub Sleeve 7x7mm |

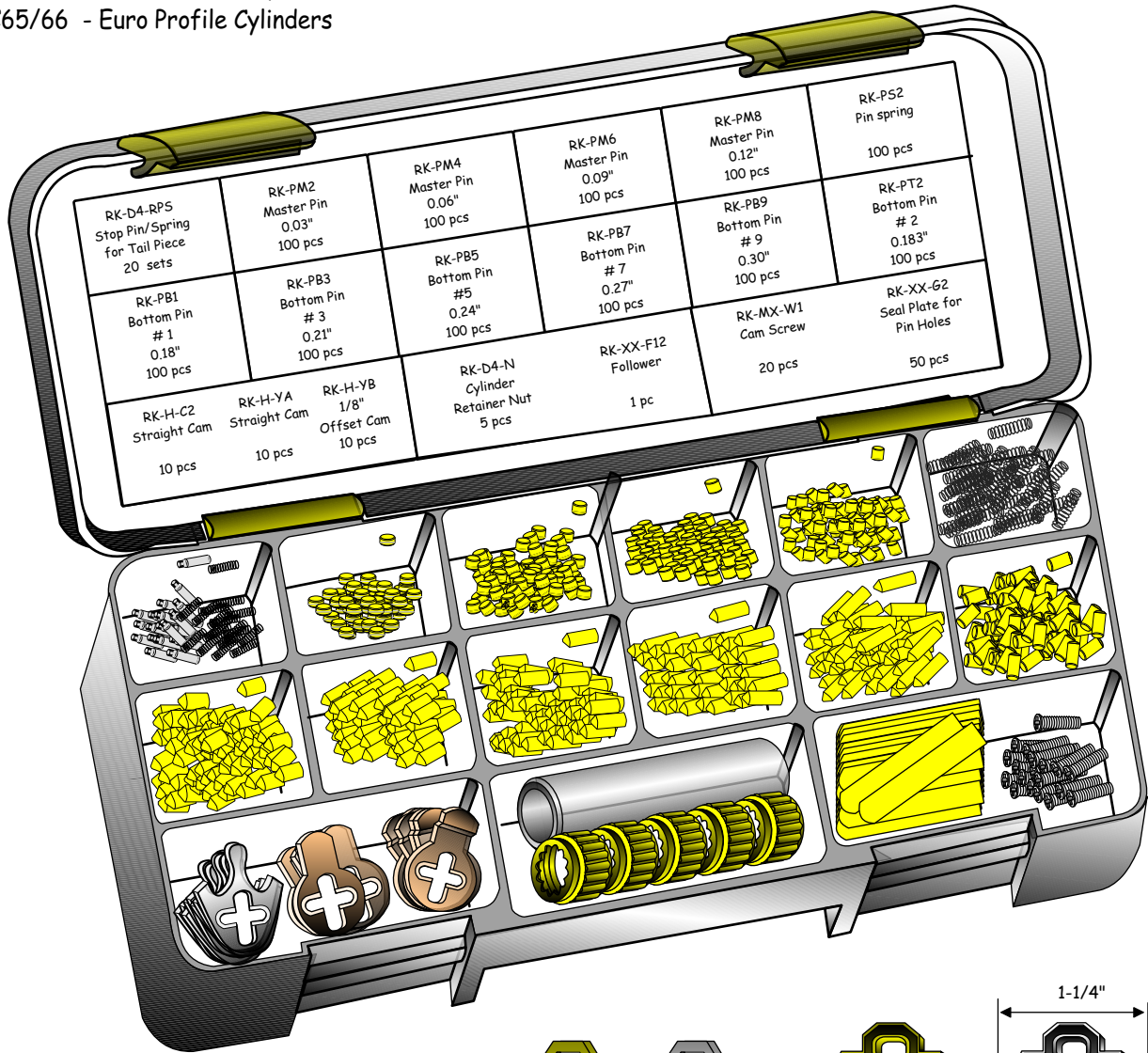


N8Z-H7



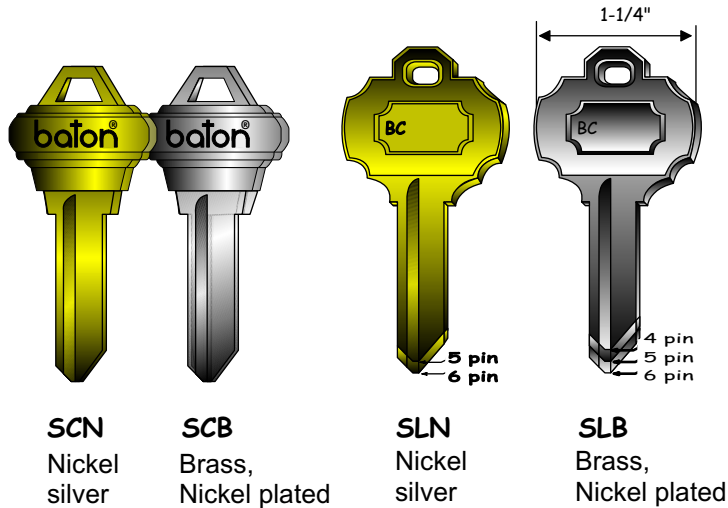
Model RK-20 Rekeying Kit & SB/SL Key Blanks

This rekeying pin kit is designed for Baton cylinders that are stamped with 'BC' code or other compatible cylinders.
 AC29/30/31 - Mortise Cylinders, D400-AK5/AK6 - Key in knob Cylinders
 D400-AS/AD - Deadbolt Cylinders D421/422/461/462 - Deadbolts
 EC65/66 - Euro Profile Cylinders



X03

| Stock No. | Description |
|------------|----------------------------|
| RK-20 | Rekeying Pin Kit |
| RK-SCB-KB6 | 6 pin, brass/nickel plated |
| RK-SCN-KB6 | 6 pin, nickel silver |
| RK-SLB-KB4 | 4 pin, brass/nickel plated |
| RK-SLB-KB5 | 5 pin, brass/nickel plated |
| RK-SLB-KB6 | 6 pin, brass/nickel plated |
| RK-SLN-KB5 | 5 pin, nickel silver |
| RK-SLN-KB6 | 6 pin, nickel silver |



In-house Keying Services

Baton's series 'AC', 'D4' and 'EC' cylinders that are constructed with 'Schlage-C' keyway, can be keyed to Keyed Alike (KA), Master Keying (MK), Grand Master Keying (GMK) or Construction Keying (CK1, CK2). Please call our CSR for the details.

KA - Keyed Alike - one key fits all

Cylinder can be keyed to work with one same key, No Master keying.

These cylinders can be keyed to the same system, KA, MK, GMK or CK

MK - Master Keying

Each lock is operative with it's own key; the management has one key that operates all locks within the system

CK - Construction Keying

Construction key - Level 1
 Voided after any of the Construction key Level 2, individual key, or Master key is operated

Construction key - Level 2
 Voids the construction key Level 1.
 Voided after the individual key or MK key is operated.

GMK - Grand Master Keying

One GMK key operates two or more MK systems

X05

Measurement Chart - Inch vs. MM

| Inch | | MM |
|--------|---------|---------|
| 1/16" | 0.0625" | 1.5875 |
| 1/8" | 0.1250" | 3.1750 |
| 3/16" | 0.1875" | 4.7625 |
| 1/4" | 0.2500" | 6.3500 |
| 5/16" | 0.3125" | 7.9375 |
| 3/8" | 0.3750" | 9.5250 |
| 7/16" | 0.4375" | 11.1125 |
| 1/2" | 0.5000" | 12.7000 |
| 9/16" | 0.5625" | 14.2875 |
| 5/8" | 0.6250" | 15.8750 |
| 11/16" | 0.6875" | 17.4625 |
| 3/4" | 0.7500" | 19.0500 |
| 13/16" | 0.8125" | 20.6375 |
| 7/8" | 0.8750" | 22.2250 |
| 15/16" | 0.9375" | 23.8125 |
| 1" | 1.0000" | 25.4000 |

| Inch | | MM |
|----------|---------|---------|
| 1-1/16" | 1.0625" | 26.9875 |
| 1-1/8" | 1.1250" | 28.5750 |
| 1-3/16" | 1.1875" | 30.1625 |
| 1-1/4" | 1.2500" | 31.7500 |
| 1-5/16" | 1.3125" | 33.3375 |
| 1-3/8" | 1.3750" | 34.9250 |
| 1-7/16" | 1.4375" | 36.5125 |
| 1-1/2" | 1.5000" | 38.1000 |
| 1-9/16" | 1.5625" | 39.6875 |
| 1-5/8" | 1.6250" | 41.2750 |
| 1-11/16" | 1.6875" | 42.8625 |
| 1-3/4" | 1.7500" | 44.4500 |
| 1-13/16" | 1.8125" | 46.0375 |
| 1-7/8" | 1.8750" | 47.6250 |
| 1-15/16" | 1.9375" | 49.2125 |
| 2" | 2.0000" | 50.8000 |

| Inch | | MM |
|----------|---------|---------|
| 2-1/16" | 2.0625" | 52.3875 |
| 2-1/8" | 2.1250" | 53.9750 |
| 2-3/16" | 2.1875" | 55.5625 |
| 2-1/4" | 2.2500" | 57.1500 |
| 2-5/16" | 2.3125" | 58.7375 |
| 2-3/8" | 2.3750" | 60.3250 |
| 2-7/16" | 2.4375" | 61.9125 |
| 2-1/2" | 2.5000" | 63.5000 |
| 2-9/16" | 2.5625" | 65.0875 |
| 2-5/8" | 2.6250" | 66.6750 |
| 2-11/16" | 2.6875" | 68.2625 |
| 2-3/4" | 2.7500" | 69.8500 |
| 2-13/16" | 2.8125" | 71.4375 |
| 2-7/8" | 2.8750" | 73.0250 |
| 2-15/16" | 2.9375" | 74.6125 |
| 3" | 3.0000" | 76.2000 |

| Inch | | MM |
|----------|---------|----------|
| 3-1/16" | 3.0625" | 77.7875 |
| 3-1/8" | 3.1250" | 79.3750 |
| 3-3/16" | 3.1875" | 80.9625 |
| 3-1/4" | 3.2500" | 82.5500 |
| 3-5/16" | 3.3125" | 84.1375 |
| 3-3/8" | 3.3750" | 85.7250 |
| 3-7/16" | 3.4375" | 87.3125 |
| 3-1/2" | 3.5000" | 88.9000 |
| 3-9/16" | 3.5625" | 90.4875 |
| 3-5/8" | 3.6250" | 92.0750 |
| 3-11/16" | 3.6875" | 93.6625 |
| 3-3/4" | 3.7500" | 95.2500 |
| 3-13/16" | 3.8125" | 96.8375 |
| 3-7/8" | 3.8750" | 98.4250 |
| 3-15/16" | 3.9375" | 100.0125 |
| 4" | 4.0000" | 101.6000 |

| Inch | | MM |
|----------|---------|----------|
| 4-1/16" | 4.0625" | 103.1875 |
| 4-1/8" | 4.1250" | 104.7750 |
| 4-3/16" | 4.1875" | 106.3625 |
| 4-1/4" | 4.2500" | 107.9500 |
| 4-5/16" | 4.3125" | 109.5375 |
| 4-3/8" | 4.3750" | 111.1250 |
| 4-7/16" | 4.4375" | 112.7125 |
| 4-1/2" | 4.5000" | 114.3000 |
| 4-9/16" | 4.5625" | 115.8875 |
| 4-5/8" | 4.6250" | 117.4750 |
| 4-11/16" | 4.6875" | 119.0625 |
| 4-3/4" | 4.7500" | 120.6500 |
| 4-13/16" | 4.8125" | 122.2375 |
| 4-7/8" | 4.8750" | 123.8250 |
| 4-15/16" | 4.9375" | 125.4125 |
| 5" | 5.0000" | 127.0000 |

| Inch | | MM |
|----------|---------|----------|
| 5-1/16" | 5.0625" | 128.5875 |
| 5-1/8" | 5.1250" | 130.1750 |
| 5-3/16" | 5.1875" | 131.7625 |
| 5-1/4" | 5.2500" | 133.3500 |
| 5-5/16" | 5.3125" | 134.9375 |
| 5-3/8" | 5.3750" | 136.5250 |
| 5-7/16" | 5.4375" | 138.1125 |
| 5-1/2" | 5.5000" | 139.7000 |
| 5-9/16" | 5.5625" | 141.2875 |
| 5-5/8" | 5.6250" | 142.8750 |
| 5-11/16" | 5.6875" | 144.4625 |
| 5-3/4" | 5.7500" | 146.0500 |
| 5-13/16" | 5.8125" | 147.6375 |
| 5-7/8" | 5.8750" | 149.2250 |
| 5-15/16" | 5.9375" | 150.8125 |
| 6" | 6.0000" | 152.4000 |